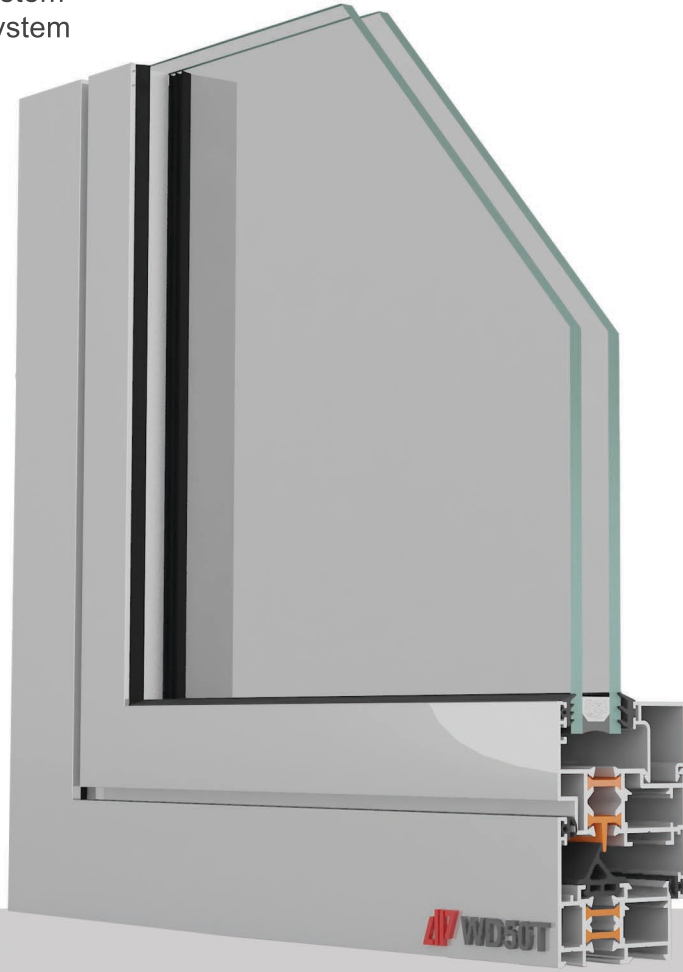
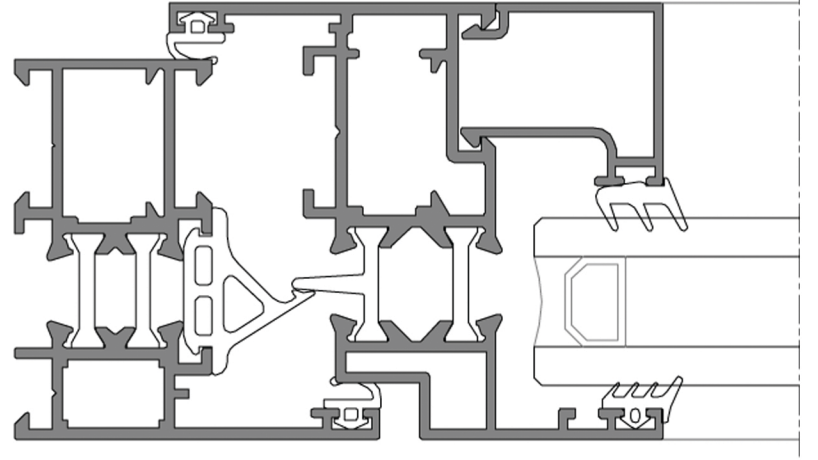
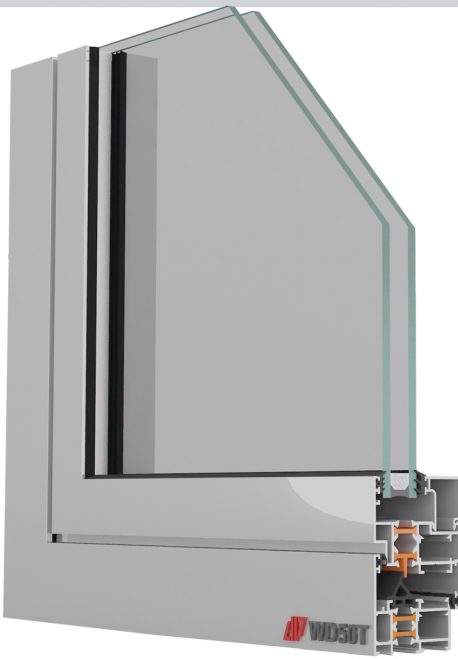




Kapı - Pencere Sistem
Door - Window System



WDSUT



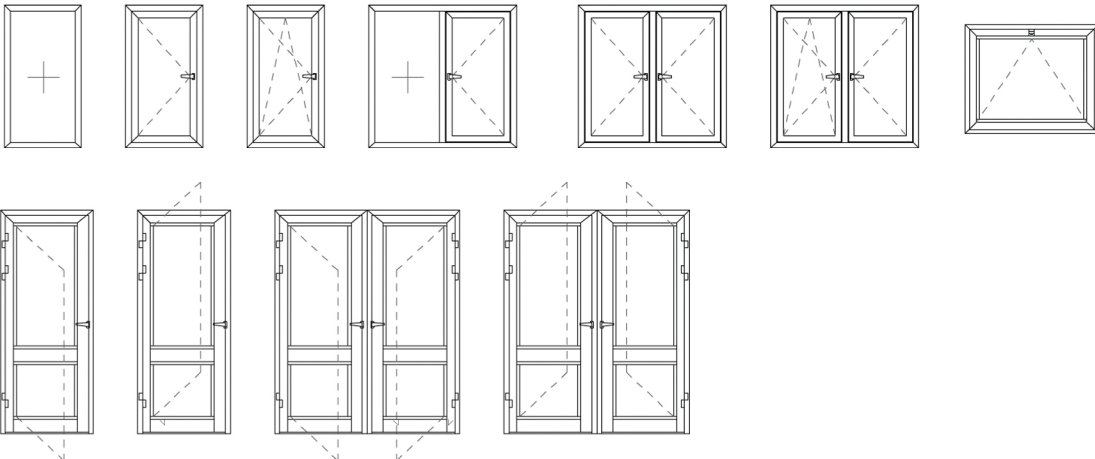
TEKNİK ÖZELLİKLER / TECHNICAL PROPERTIES

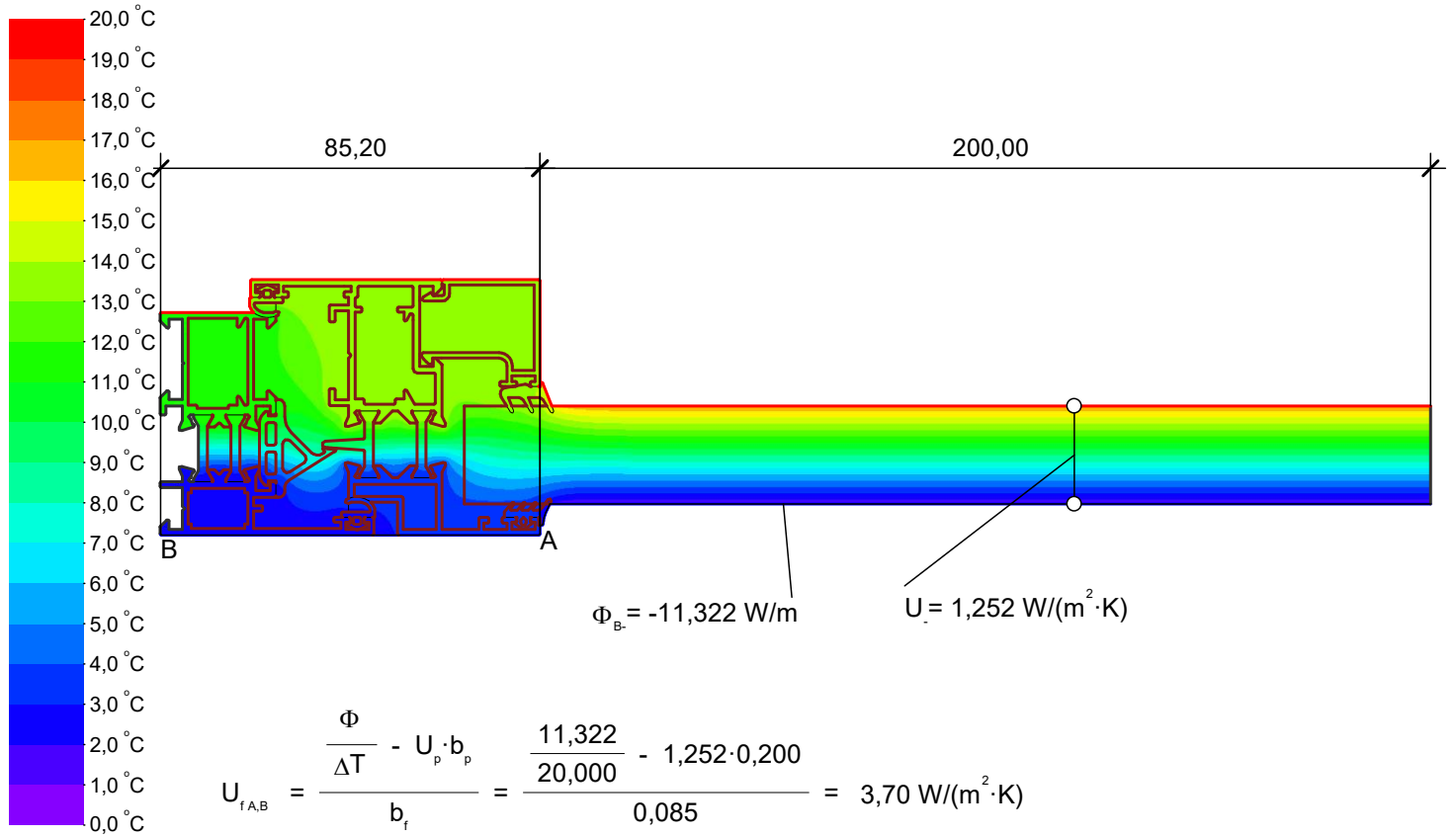
KASA DERİNLİĞİ / FRAME DEPTH	50 - 65 mm
KANAT DERİNLİĞİ / SASH DEPTH	57,4 mm
ET KALINLIĞI / WALL THICKNESS	1,3 - 1,5 mm
MAKS. CAM KALINLIĞI / MAX GLASS THICKNESS	5 mm - 34 mm
ISI BARIYER / THERMAL BREAK	15 mm

PERFORMANS DEĞERLERİ / PERFORMANCE VALUES

HAVA GEÇİRGENLİK / AIR PERMEABILITY	EN 12152 : Class4 (600PA)
SU SIZDIRMAZLIK / WATERTIGHTNESS	EN 12154 : 9A (600PA)
RÜZGAR YÜKÜ / WIND RESISTANCE	TS EN 13830 : Class3 (1200PA)
ISI YALITIM DEĞERİ / THERMAL INSULATION VALUE (UF)	EN 10077-2 : 3.70 W / (m ² . K)

UYGULAMA SEÇENEKLERİ / APPLICATION OPTIONS



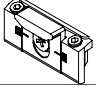

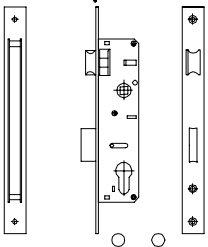
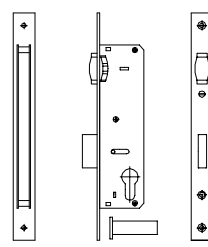
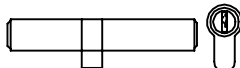
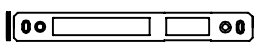


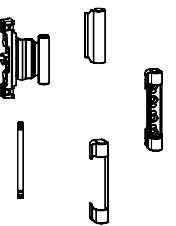
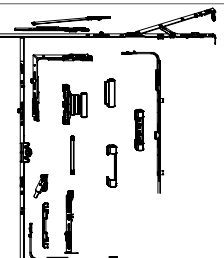
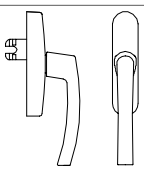


Material	λ [W/(m·K)]	ϵ	Boundary Condition	q [W/m ²]	θ [°C]	R [(m ² ·K)/W]	ϵ
Aluminium (Si Alloys)	160,000	0,900	Epsilon 0.9				0,900
EPDM (ethylene propylene diene monomer)	0,250	0,900	Exterior, frame	0,000	0,040		
Panel	0,035	0,900	Interior, normal, horizontal	20,000	0,130		
Polyamid 6.6 with 25% glass fibre	0,300	0,900	Symmetry/Model section	0,000			
Slightly ventilated air cavity	anisotropic						
Unventilated air cavity	anisotropic						

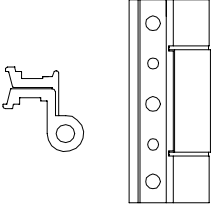
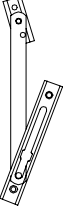
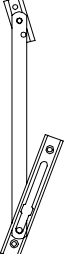
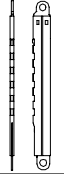


PROF L KES T PROFILE SECTION	PROF L KODU PROFILE CODE	PROF L ADI PROFILE NAME	Jx cm ⁴	Jy cm ⁴	A IRLIK (kg/m) WEIGHT
	50-641-642	KASA PROF L FRAME PROFILE	9,83 cm ⁴	4,22 cm ⁴	1,027 kg/m
	50-13157-13158	KASA PROF L FRAME PROFILE	16,39 cm ⁴	4,73 cm ⁴	1,059 kg/m
	50-641-645	KASA PROF L FRAME PROFILE	13,54 cm ⁴	5,29 cm ⁴	1,123 kg/m
	50-643-644	KASA PROF L FRAME PROFILE	11,69 cm ⁴	8,14 cm ⁴	1,198 kg/m
	50-643-646	KASA PROF L FRAME PROFILE	15,92 cm ⁴	9,76 cm ⁴	1,295 kg/m
	50-643-716	KASA PROF L FRAME PROFILE	43,30 cm ⁴	16,46 cm ⁴	1,561 kg/m
	50-638-642	KASA PROF L FRAME PROFILE	16,38 cm ⁴	10,33 cm ⁴	1,234 kg/m
	50-638-645	KASA PROF L FRAME PROFILE	21,56 cm ⁴	11,74 cm ⁴	1,319 kg/m
	50-655-656	ORTA KAYIT PROF L MULLION PROFILE	11,42 cm ⁴	7,05 cm ⁴	1,162 kg/m
	50-657-658	ORTA KAYIT PROF L MULLION PROFILE	13,76 cm ⁴	12,30 cm ⁴	1,388 kg/m
	50-657-603	ORTA KAYIT PROF L MULLION PROFILE	14,36 cm ⁴	12,57 cm ⁴	1,479 kg/m
	50-659-660	ORTA KAYIT PROF L MULLION PROFILE	25,13 cm ⁴	84,25 cm ⁴	2,333 kg/m
	50-659-604	ORTA KAYIT PROF L MULLION PROFILE	25,73 cm ⁴	87,74 cm ⁴	2,418 kg/m
	50-647-648	KANAT PROF L SASH PROFILE	15,28 cm ⁴	6,38 cm ⁴	1,183 kg/m
	50-13161-648	KANAT PROF L SASH PROFILE	25,00 cm ⁴	7,51 cm ⁴	1,320 kg/m
	50-13159-13160	PVC KANALLI KANAT PROF L PVC GROOVED SASH PROFILE	39,94 cm ⁴	11,82 cm ⁴	1,497 kg/m
	50-649-650	KANAT PROF L SASH PROFILE	17,70 cm ⁴	11,22 cm ⁴	1,336 kg/m
	50-601-602	KANAT PROF L SASH PROFILE	18,30 cm ⁴	13,39 cm ⁴	1,389 kg/m
	59-678-677	KANAT PROF L SASH PROFILE	23,77 cm ⁴	33,23 cm ⁴	1,711 kg/m
	59-651-652	KANAT PROF L SASH PROFILE	25,36 cm ⁴	34,14 cm ⁴	1,833 kg/m
	50-605-685	DI A AÇILIR KANAT PROF L OUTWARD OPENING SASH PROFILE	35,33 cm ⁴	23,00 cm ⁴	1,738 kg/m
	50-684-685	DI A AÇILIR KANAT PROF L OUTWARD OPENING SASH PROFILE	23,04 cm ⁴	35,16 cm ⁴	1,746 kg/m

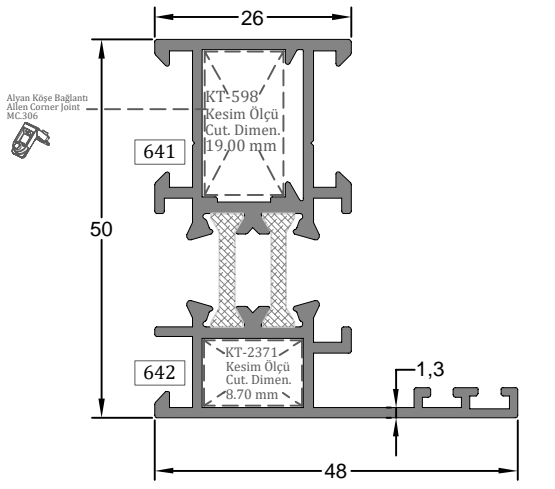
PROF L KES T PROFILE SECTION	PROF L KODU PROFILE CODE	PROF L ADI PROFILE NAME	Jx cm ⁴	Jy cm ⁴	A IRLIK (kg/m) WEIGHT
	50-662-663	ADAPTÖR PROF L ADAPTER PROFILE	11,41 cm ⁴	7,02 cm ⁴	1,177 kg/m
	59-660-661	ETEK PROF L BOTTOM PROFILE	-	-	2,514 kg/m
	59-604-661	ETEK PROF L BOTTOM PROFILE	-	-	2,429 kg/m
	55-682-681	KÖ E DÖNÜ PROF L CORNER PROFILE	-	-	1,084 kg/m
	55-711-682	KÖ E DÖNÜ PROF L CORNER PROFILE	-	-	1,211 kg/m
	55-4356-4357	KAPI ALTI E K PROF L DOOR THRESHOLD PROFILE	-	-	0,930 kg/m
	12375	DAMLALIK PROF L SILL PROFILE	-	-	0,326 kg/m
	4242	DAMLALIK PROF L SILL PROFILE	-	-	0,094 kg/m
	7021	DAMLALIK PROF L SILL PROFILE	-	-	0,140 kg/m
	8241	T J PROF L STEM BAR PROFILE	-	-	0,099 kg/m
	7043	CAM ÇITASI (38 mm) GLAZING BEAD (38 mm)	-	-	0,366 kg/m
	676	CAM ÇITASI (34 mm) GLAZING BEAD (34 mm)	-	-	0,331 kg/m
	7036	CAM ÇITASI (30 mm) GLAZING BEAD (30 mm)	-	-	0,319 kg/m
	606	CAM ÇITASI (27 mm) GLAZING BEAD (27 mm)	-	-	0,299 kg/m
	792	CAM ÇITASI (26.5 mm) GLAZING BEAD (26.5 mm)	-	-	0,301 kg/m
	7023	CAM ÇITASI (24 mm) GLAZING BEAD (24 mm)	-	-	0,294 kg/m
	770	CAM ÇITASI (21.5 mm) GLAZING BEAD (21.5 mm)	-	-	0,270 kg/m
	664	CAM ÇITASI (18 mm) GLAZING BEAD (18 mm)	-	-	0,266 kg/m
	665	CAM ÇITASI (18 mm) GLAZING BEAD (18 mm)	-	-	0,253 kg/m
	791	CAM ÇITASI (14 mm) GLAZING BEAD (14 mm)	-	-	0,239 kg/m
	793	CAM ÇITASI (13.5 mm) GLAZING BEAD (13.5 mm)	-	-	0,235 kg/m
	772	CAM ÇITASI (5.7 mm) GLAZING BEAD (5.7 mm)	-	-	0,225 kg/m

AKSESUAR ACCESSORY	STOK KODU REFERENCE CODE	AKSESUAR ADI DESCRIPTION	AKSESUAR KODU PRODUCT CODE	PAKET PACK
	AKS1277	KASA KANAT F T L FRAME SASH GASKET	WD50T-KBF.70	303 mt / paket 10 kg
	AKS1253	DI CAM F T L OUTER GLAZING GASKET	WD50T-DCF.25	240 mt / paket 10 kg
	AKS1338	Ç CAM F T L INNER GLAZING GASKET	WD50T- CF.30	330 mt / paket 10 kg
	AKS1339	Ç CAM F T L INNER GLAZING GASKET	WD50T- CF.40	205 mt / paket 10 kg
	AKS1341	Ç CAM F T L INNER GLAZING GASKET	WD50T- CF.50	175 mt / paket 10 kg
	AKS1322	ORTA B N F T L MIDDLE GASKET	WD50T-OBF.20	65 mt / paket 10 kg
	AKS824	ALÜM NYUM KAPI ALTI FIRÇASI ALUMINIUM DOORBASE BRUSH	WD50T-KF.200	100 ad / 1 pk
	AKS1540	FIRÇA F T L (6.8 - 10 mm) WEATHER STRIP (6.8 - 10 mm)	WD50T-FÇ.712	200 mt / 1 pk
	AKS779	ALYAN KÖ E BA LANTI ALLEN CORNER JOINT	WD50T-MC.306	250 ad / 1 pk
	AKS797	ALYAN KÖ E BA LANTI ALLEN CORNER JOINT	WD50T-MC.327	250 ad / 1 pk
	AKS746	KÖ E GÖNYE CORNER BRACKET	WD50T-KG.149	500 ad / 1 pk
	AKS4153	KÖ E GÖNYE CORNER BRACKET	WD50T-KG.100	1000 ad / 1 pk
	AKS785	KÖ E ÇAVU U CORNER CONNECTION	WD50T-FJ.314	250 ad / 1 pk
	AKS789	KÖ E GÖNYE CORNER BRACKET	WD50T-MO.318	250 ad / 1 pk
	AKS1912	CAM TAKOZU (3X20X80 mm) GLAZING WEDGE (3X20X80 mm)	WD50T-CT.203	1000 ad / 1 pk
	AKS1915	CAM TAKOZU (5X20X80 mm) GLAZING WEDGE (5X20X80 mm)	WD50T-CT.208	1000 ad / 1 pk
	AKS1916	CAM TAKOZU (5X28X80 mm) GLAZING WEDGE (5X28X80 mm)	WD50T-CT.210	1000 ad / 1 pk
	AKS1557	SAB T PERDEL YA MUR TAHL YE KAPAK WATER DRAIN COVER (FIXED)	WD50T-TK.115	1000 ad / 1 pk
	AKS1556	HAREKETL PERDEL YA MUR TAHL YE KAPAK WATER DRAIN COVER (MOVEABLE)	WD50T-TK.112	1000 ad / 1 pk
	AKS737	DAMLALIK KAPAK SILL COVER	WD50T-DK.50	1 tk / 1 pk

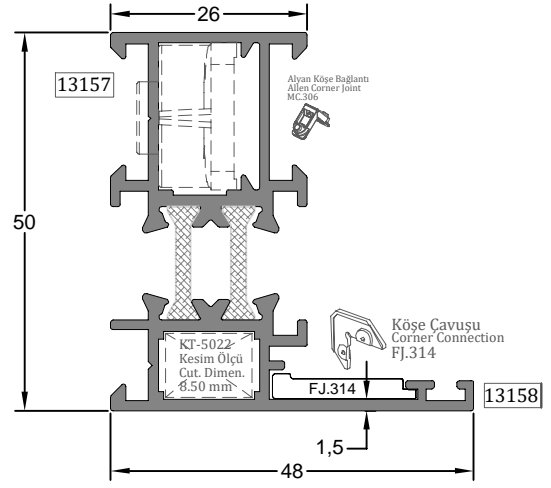
AKSESUAR ACCESSORY	STOK KODU REFERENCE CODE	AKSESUAR ADI DESCRIPTION	AKSESUAR KODU PRODUCT CODE	PAKET PACK
	AKS743	AYARLI SPANYOLET KAR ILI I (SETSKURLU) ADJUSTABLE ESPAGNOLETTE STRIKER (PINNED)	WD50T-TPK.201	100 ad / 1 pk
	AKS752	PVC KANALLI SPANYOLET KAR ILI I PVC GROOVE ESPAGNOLETTE STRIKER(SCREWED)	WD50T-PK.217	100 ad / 1 pk
	AKS1667	153/35 mm D LL K L T BOLT LOCK	WD50T-DK.401	30 ad / 1 pk
	AKS1671	155/35 mm MAKARALI K L T ROLLED LOCK	WD50T-MK.405	30 ad / 1 pk
	AKS1718	76 mm BAREL 76 mm CYLINDER	WD50T-BR.103	24 ad / 1 pk
	AKS4742	OVAL SER K L T KAR ILI I (D LL) OVAL SERIES LOCK STRIKER (BOLT)	WD50T-KK.210	50 ad / 1 pk
	AKS421	OVAL SER K L T KAR ILI I (MAKARALI) OVAL SERIES LOCK STRIKER (ROLLED)	WD50T-KK.211	50 ad / 1 pk
	AKS739	SPANYOLET P M (EURO KANAL) ESPAGNOLETTE PIN (EURO CHANNEL)	WD50T-TP.100	100 ad / 1 pk
	AKS540	PVC KANALLI TEK AÇILIM MENTE E TAKIMI (9/18) PVC GROOVED CASEMENT HINGE (9/18)	WD50T-PM.650	1 pk / 100 ad
	AKS541	PVC KANALLI Ç FT AÇILIM MENTE E TAKIMI (9/18) PVC GROOVED TILT&TURN SET (9/18)	WD50T-PMT.680	1 pk / 100 ad
	AKS120	EKSENEL KOL ROTO (ELOKSALLI) ROTO AXIAL HANDLE (ANODIZED)	WD50T-RK.601	10 ad / 1 pk
	AKS121	EKSENEL KOL ROTO (ELOKSALLI K L TL) ROTO AXIAL HANDLE (ANODIZED LOCKED)	WD50T-RK.604	10 ad / 1 pk

AKSESUAR ACCESSORY	STOK KODU REFERENCE CODE	AKSESUAR ADI DESCRIPTION	AKSESUAR KODU PRODUCT CODE	PAKET PACK
	AKS401	U KOL (ELOKSALLI) U SHAPED HANDLE (ANODIZED)	WD50T-UK.101	10 ad / 1 pk
	AKS219	H KOL (ELOKSALLI) H SHAPED HANDLE (ANODIZED)	WD50T-HK.309	10 ad / 1 pk
	AKS159	KIVRIK KOL (ELOKSALLI) CONVOLUTED HANDLE (ANODIZED)	WD50T-VK.401	10 ad / 1 pk
	AKS307	FORZA EFOR YAYLI KAPI KOLU (BEYAZ) FORZA EFOR DOOR HANDLE (WHITE)	WD50T-FK.902	10 ad / 1 pk
	AKS308	FORZA EFOR YAYLI KAPI KOLU (RENKL) FORZA EFOR DOOR HANDLE (COLORED)	WD50T-FK.903	10 ad / 1 pk
	AKS309	FORZA EFOR YAYLI KAPI KOLU (NATUREL) FORZA EFOR DOOR HANDLE (NATURAL)	WD50T-FK.904	10 ad / 1 pk
	AKS4315	YAYLI SOS S KOL SPRING DOOR HANDLE	WD50T-YK.104	50 ad / 1 pk
	AKS4750	YAYLI SOS S KOL BAREL ROZET SPRING DOOR HANDLE CYLINDER BADGE	WD50T-BR.109	2 ad / 1 pk
	AKS126	FORZA YANKI EKSENEL PENCERE KOLU (NATUREL) FORZA YANKI AXIAL WINDOW HANDLE (NATURAL)	WD50T-EK.810	50 ad / 1 pk
	AKS127	FORZA YANKI EKSENEL PENCERE KOLU (BEYAZ) FORZA YANKI AXIAL WINDOW HANDLE (WHITE)	WD50T-EK.811	50 ad / 1 pk
	AKS128	FORZA YANKI EKSENEL PENCERE KOLU (RENKL) FORZA YANKI AXIAL WINDOW HANDLE (COLORED)	WD50T-EK.812	50 ad / 1 pk
	AKS122	FORZA EFOR EKSENEL PENCERE KOLU (BEYAZ) FORZA EFOR AXIAL WINDOW HANDLE (WHITE)	WD50T-FPK.702	20 ad / 1 pk
	AKS123	FORZA EFOR EKSENEL PENCERE KOLU (RENKL) FORZA EFOR AXIAL WINDOW HANDLE (COLORED)	WD50T-FPK.703	20 ad / 1 pk
	AKS124	FORZA EFOR EKSENEL PENCERE KOLU (NATUREL) FORZA EFOR AXIAL WINDOW HANDLE (NATURAL)	WD50T-FPK.803	20 ad / 1 pk
	AKS77	OVAL SER KAPI MENTE E (ELOKSALLI) OVAL SERIES DOOR HINGE (ANODIZED)	WD50T-PM.601	10 ad / 1 pk
	AKS78	OVAL SER KAPI MENTE E (BEYAZ) OVAL SERIES DOOR HINGE (WHITE)	WD50T-PM.602	10 ad / 1 pk
	AKS79	OVAL SER KAPI MENTE E (RENKL) OVAL SERIES DOOR HINGE (COLORED)	WD50T-PM.603	10 ad / 1 pk
	AKS73	OVAL SER PENCERE MENTE E (ELOKSALLI) OVAL SERIES WINDOW HINGE (ANODIZED)	WD50T-PM.301	10 ad / 1 pk
	AKS74	OVAL SER PENCERE MENTE E (BEYAZ) OVAL SERIES WINDOW HINGE (WINDOW)	WD50T-PM.302	10 ad / 1 pk
	AKS75	OVAL SER PENCERE MENTE E (RENKL) OVAL SERIES WINDOW HINGE (COLORED)	WD50T-PM.303	10 ad / 1 pk
	AKS3927	S STEM KANAT KALDIRMA TAKOZU SYSTEM SASH ADJUSTING BRACKET	WD55T-KST.210	50 ad / 1 pk

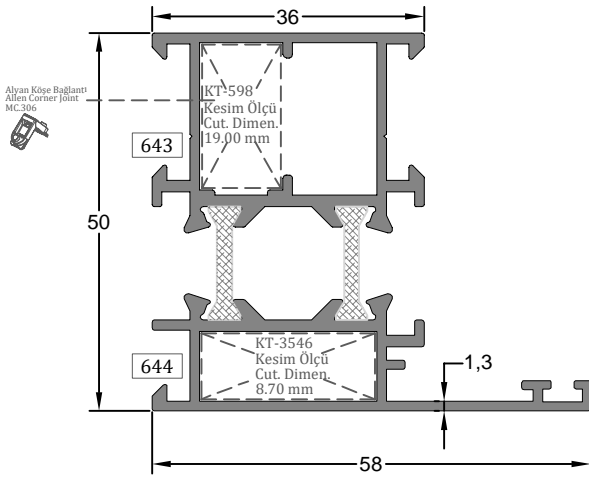
AKSESUAR ACCESSORY	STOK KODU REFERENCE CODE	AKSESUAR ADI DESCRIPTION	AKSESUAR KODU PRODUCT CODE	PAKET PACK
	AKS59	S STEM PENCERE VE KAPI MENTE E (ELOKSALLI) SYSTEM WINDOW AND DOOR HINGE (ANODIZED)	WD55-PKM.101	10 ad / 1 pk
	AKS60	S STEM PENCERE VE KAPI MENTE E (BEYAZ) SYSTEM WINDOW AND DOOR HINGE (WHITE)	WD55-PKM.102	10 ad / 1 pk
	AKS61	S STEM PENCERE VE KAPI MENTE E (RENKL) SYSTEM WINDOW AND DOOR HINGE (COLORED)	WD55-PKM.103	10 ad / 1 pk
	AKS489	S STEM 13 CM VAS STAS MAKAS (NATUREL) SYSTEM 13 CM TRANSOM TRUSS (ANODIZED)	WD50T-VM.301	50 ad / 1 pk
	AKS490	S STEM 13 CM VAS STAS MAKAS (BEYAZ) SYSTEM 13 CM TRANSOM TRUSS (WHITE)	WD50T-VM.302	50 ad / 1 pk
	AKS491	S STEM 13 CM VAS STAS MAKAS (RENKL) SYSTEM 13 CM TRANSOM TRUSS (COLORED)	WD50T-VM.303	50 ad / 1 pk
	AKS493	S STEM 22 CM VAS STAS MAKAS (NATUREL) SYSTEM 22 CM TRANSOM TRUSS (ANODIZED)	WD50T-VM.401	50 ad / 1 pk
	AKS494	S STEM 22 CM VAS STAS MAKAS (BEYAZ) SYSTEM 22 CM TRANSOM TRUSS (WHITE)	WD50T-VM.402	50 ad / 1 pk
	AKS495	S STEM 22 CM VAS STAS MAKAS (RENKL) SYSTEM 22 CM TRANSOM TRUSS (COLORED)	WD50T-VM.403	50 ad / 1 pk
	AKS499	AYARLI KADEMEL MAKAS 5 KADEME ADJUSTABLE TRUSS	WD50T-KM.1000	10 ad / 1 pk
	AKS500	AYARLI KADEMEL MAKAS 3 KADEME ADJUSTABLE TRUSS	WD50T-KM.1001	10 ad / 1 pk
	AKS2419	Ø4.2X19 mm YSB M.U.V Ø4.2X19 mm SELF DRILLING CURVED TOP SCREW	WD50T-SC.760	1000 ad / 1 pk
	AKS2356	Ø5.5X50 mm YSB SAC V DA (ETEK VE ORTA KAYIT BA LANTI V DASI) Ø5.5X50 mm CURVED TOP SCREW (BOTTOM AND MULLION PROFILES CONNECTION SCREW)	WD50T-SC.952	1000 ad / 1 pk



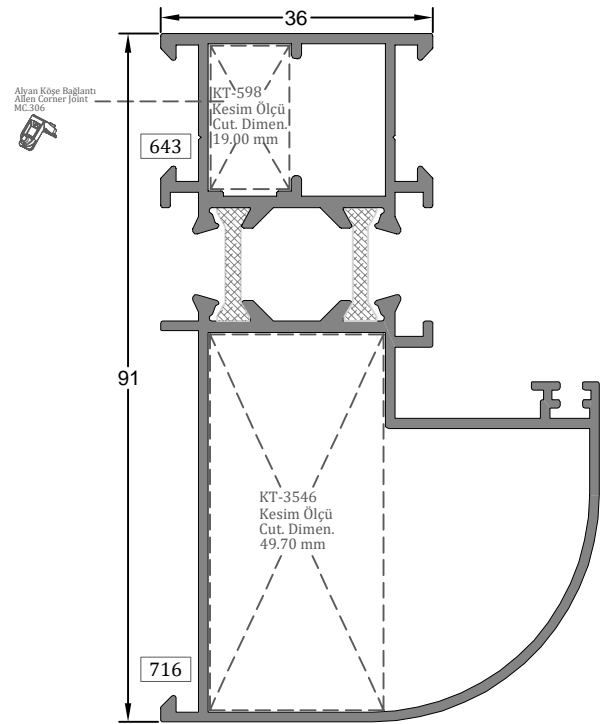
Kasa Profili	Profil Kodu	(kg/mt)	Jx cm ⁴	Jy cm ⁴
FRAME PROFILE	50-641-642	1,027	9,83	4,22



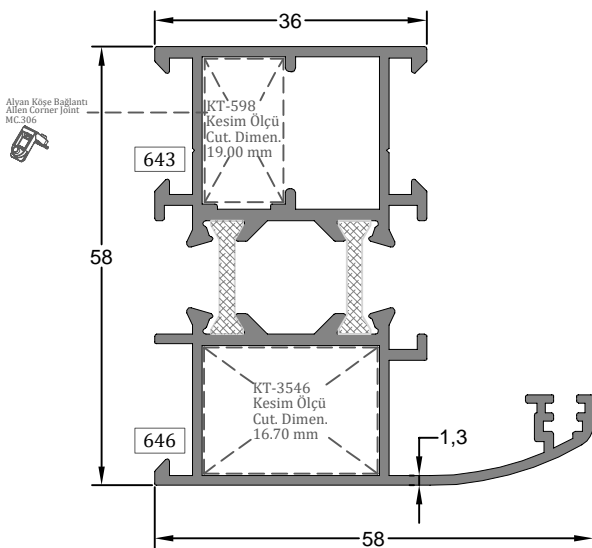
Kasa Profili	Profil Kodu	(kg/mt)	Jx cm ⁴	Jy cm ⁴
FRAME PROFILE	50-13157-13158	1,059	10,12	4,26



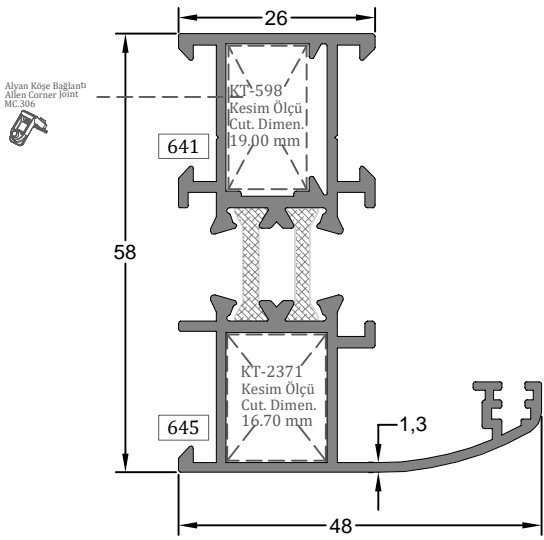
Kasa Profili	Profil Kodu	(kg/mt)	Jx cm ⁴	Jy cm ⁴
FRAME PROFILE	50-643-644	1,198	11,69	8,14



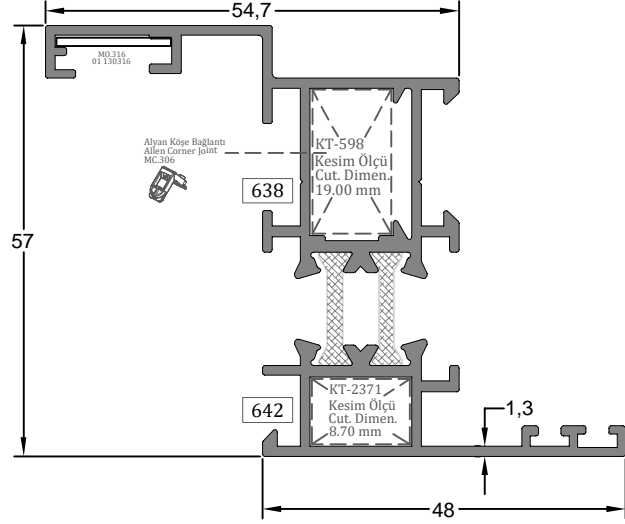
Kasa Profili	Profil Kodu	(kg/mt)	Jx cm ⁴	Jy cm ⁴
FRAME PROFILE	50-643-716	1,561	43,30	16,46



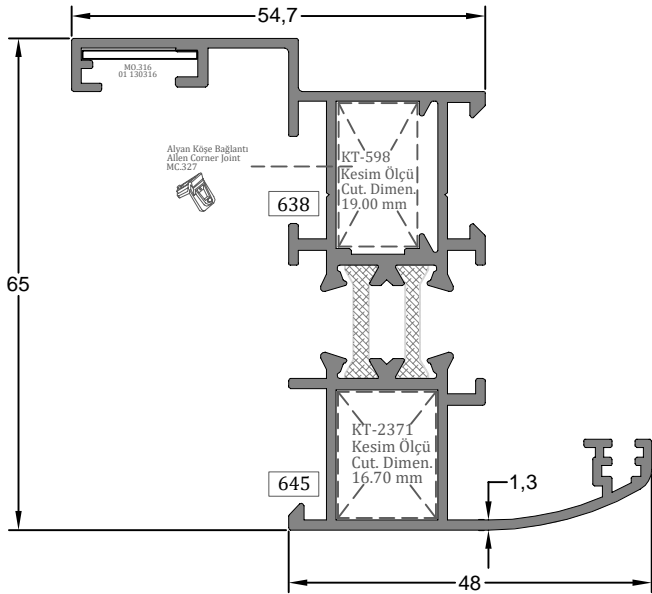
Kasa Profili	Profil Kodu	(kg/mt)	Jx cm ⁴	Jy cm ⁴
FRAME PROFILE	50-643-646	1,295	15,92	9,76



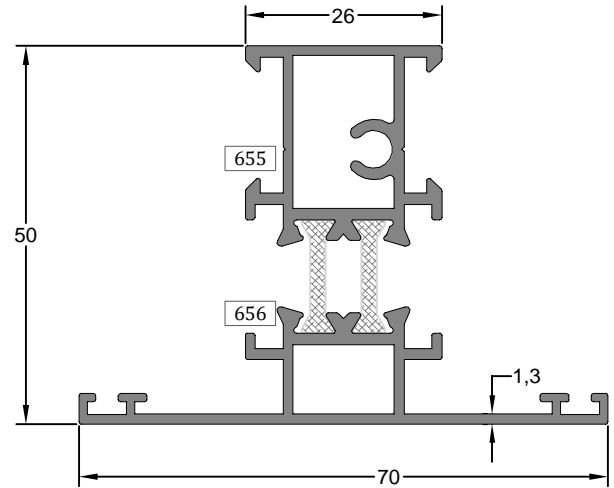
Kasa Profili	Profil Kodu	(kg/mt)	Jx cm ⁴	Jy cm ⁴
FRAME PROFILE	Profile Code	weight		
	50-641-645	1,123	13,54	5,29



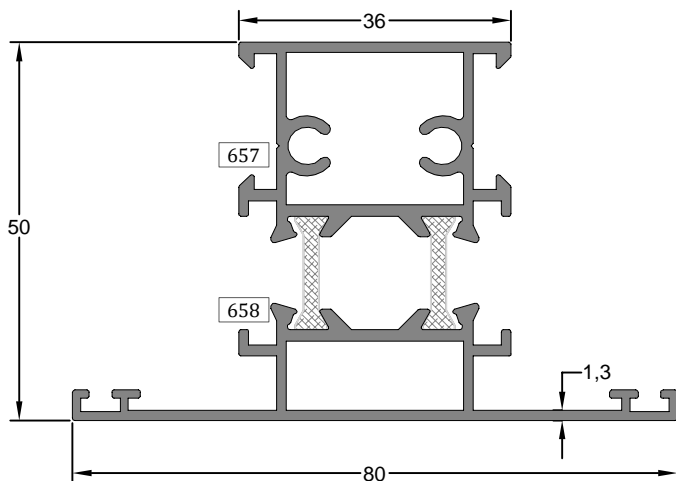
Kasa Profili	Profil Kodu	(kg/mt)	Jx cm ⁴	Jy cm ⁴
FRAME PROFILE	Profile Code	weight		
	50-638-642	1,234	16,38	10,33



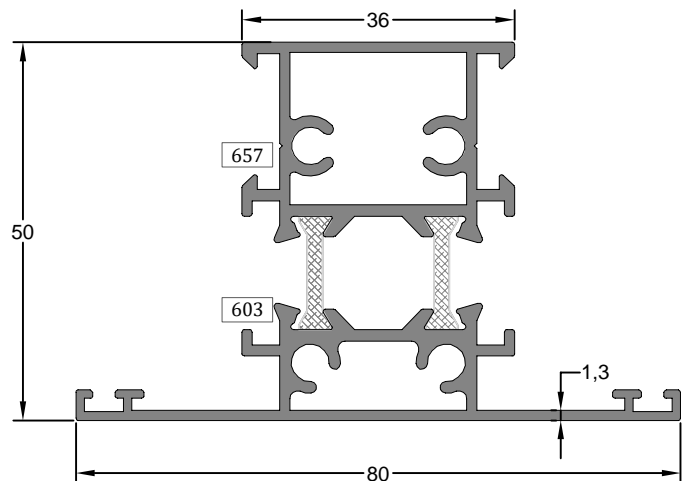
Kasa Profili	Profil Kodu	(kg/mt)	Jx cm ⁴	Jy cm ⁴
FRAME PROFILE	Profile Code	weight		
	50-638-645	1,319	21,56	11,74



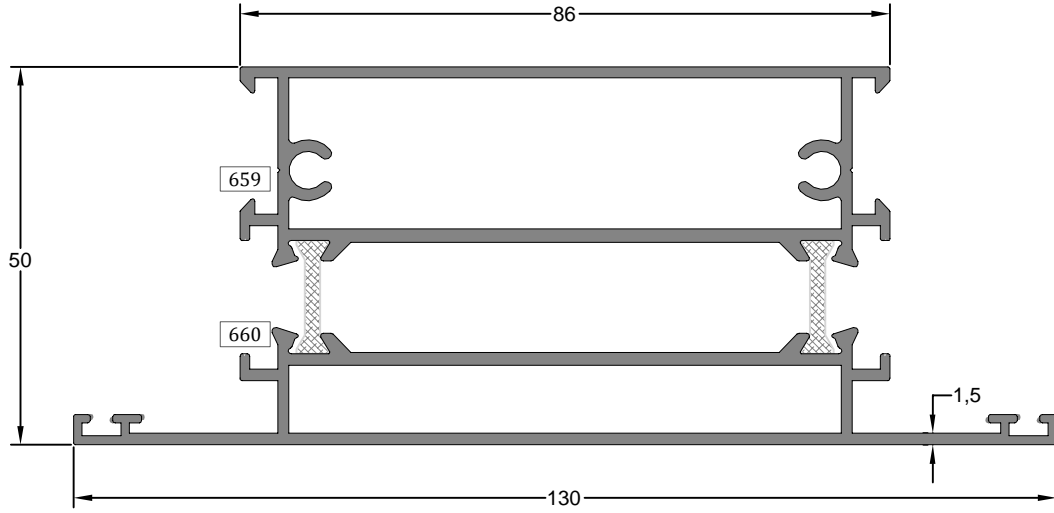
Orta Kayıt Profili	Profil Kodu	(kg/mt)	Jx cm ⁴	Jy cm ⁴
MULLION PROFILE	Profile Code	weight		
	50-655-656	1,162	11,42	7,05



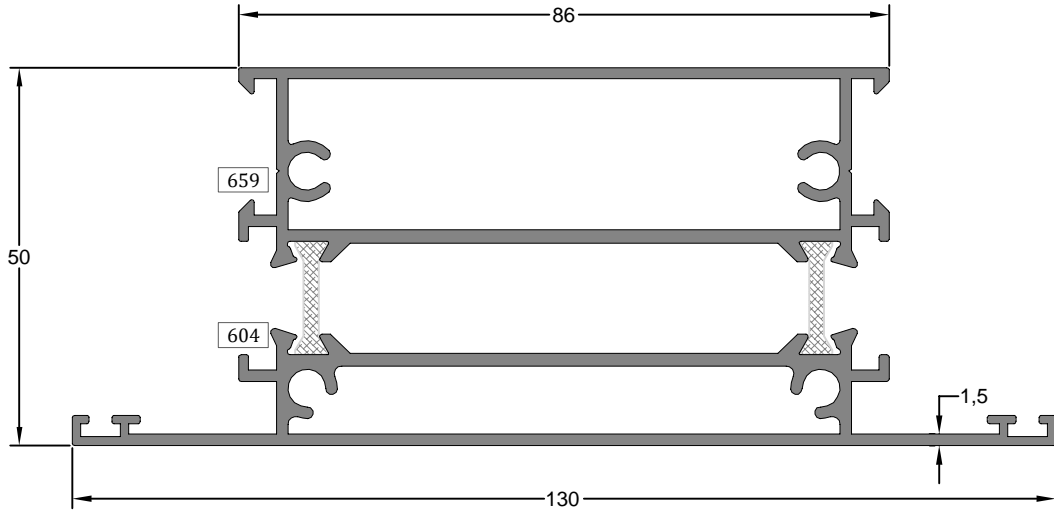
Orta Kayıt Profili	Profil Kodu	(kg/mt)	Jx cm ⁴	Jy cm ⁴
MULLION PROFILE	Profile Code	weight		
	50-657-658	1,388	13,76	12,30



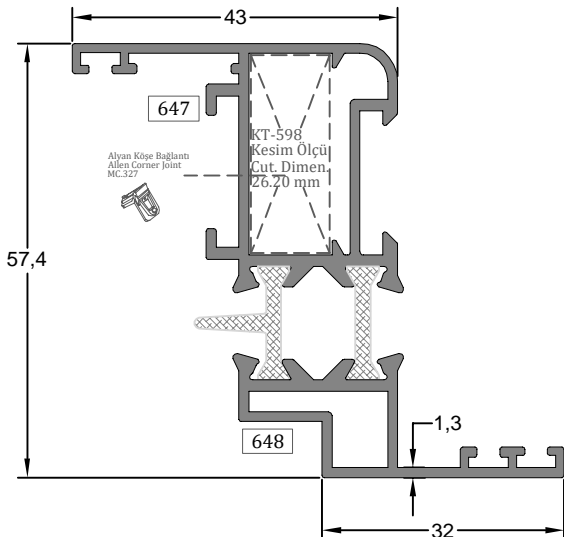
Orta Kayıt Profili	Profil Kodu	(kg/mt)	Jx cm ⁴	Jy cm ⁴
MULLION PROFILE	Profile Code	weight		
	50-657-603	1,479	14,36	12,57



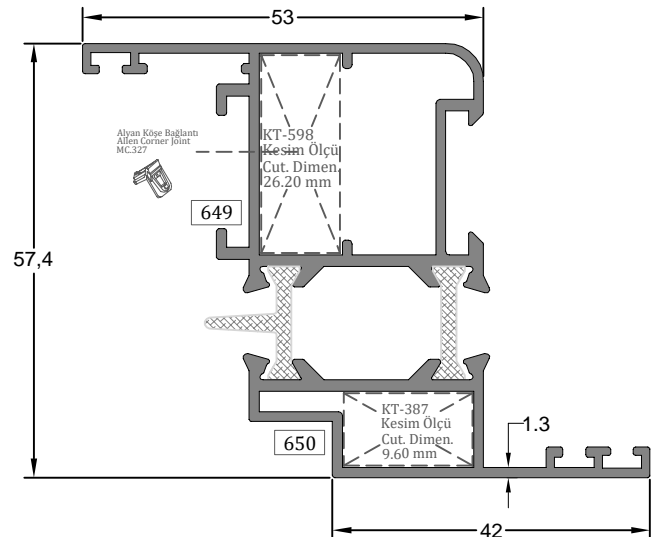
Orta Kayıt Profili	Profil Kodu	(kg/mt)	Jx cm ⁴	Jy cm ⁴
MULLION PROFILE	Profile Code	weight		
	50-659-660	2,333	25,13	84,25



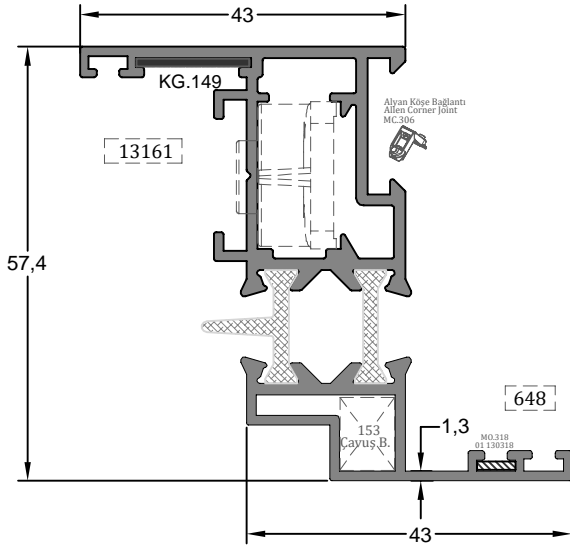
Orta Kayıt Profili	Profil Kodu	(kg/mt)	Jx cm ⁴	Jy cm ⁴
MULLION PROFILE	Profile Code	weight		
	50-659-604	2,418	25,73	87,74



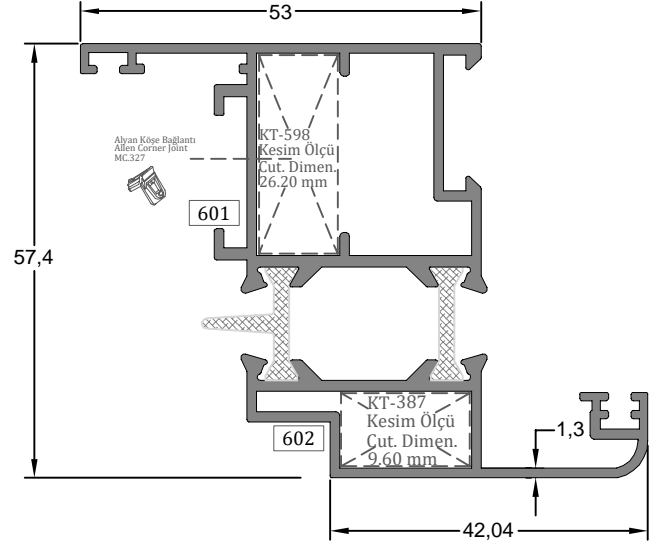
Kanat Profili	Profil Kodu	(kg/mt)	Jx cm ⁴	Jy cm ⁴
SASH PROFILE	Profile Code	weight		
	50-647-648	1,183	15,28	6,38



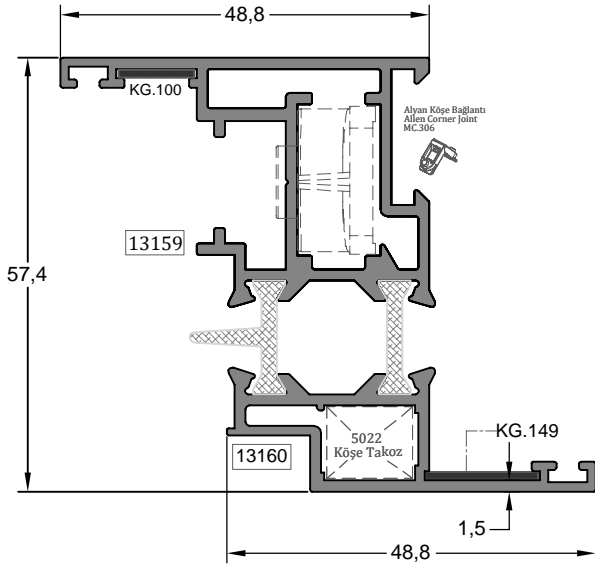
Kanat Profili	Profil Kodu	(kg/mt)	Jx cm ⁴	Jy cm ⁴
SASH PROFILE	Profile Code	weight		
	50-649-650	1,336	17,70	11,22



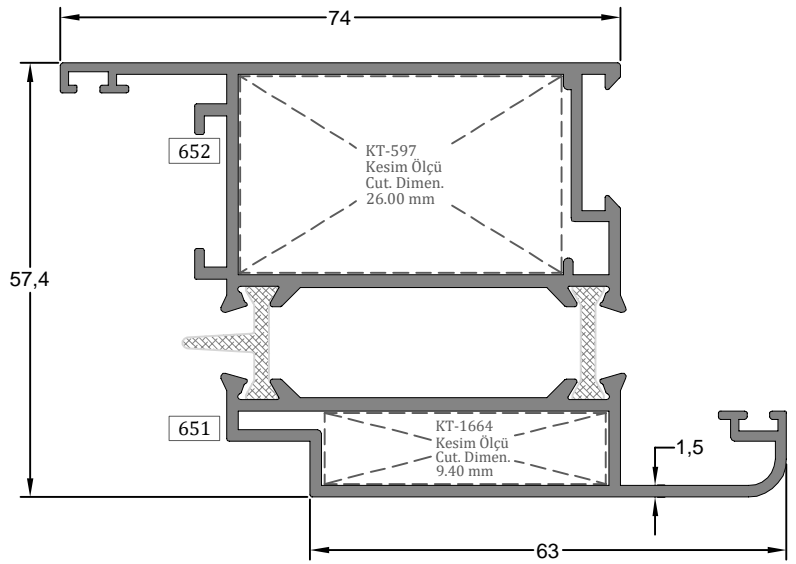
Kanat Profili	Profil Kodu Profile Code	(kg/mt) weight	Jx cm ⁴	Jy cm ⁴
SASH PROFILE	50-13161-648	1,247	16,27	6,55



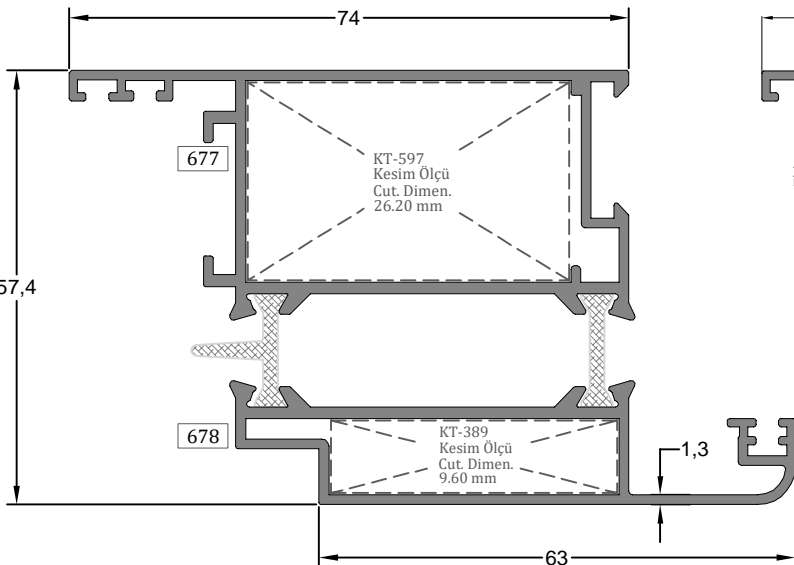
Kanat Profili	Profil Kodu Profile Code	(kg/mt) weight	Jx cm ⁴	Jy cm ⁴
SASH PROFILE	50-601-602	1,711	18,30	13,39



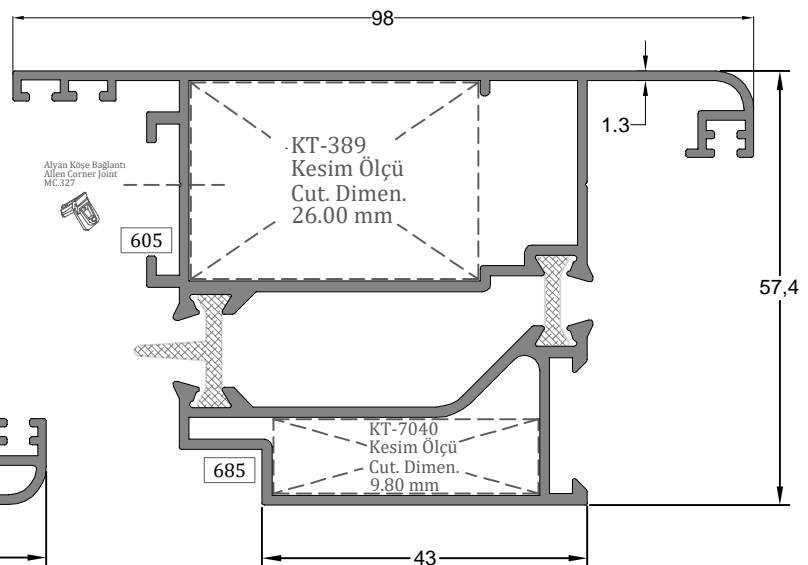
Kanat Profili	Profil Kodu Profile Code	(kg/mt) weight	Jx cm ⁴	Jy cm ⁴
SASH PROFILE	50-13159-13160	1,497	25,34	10,27



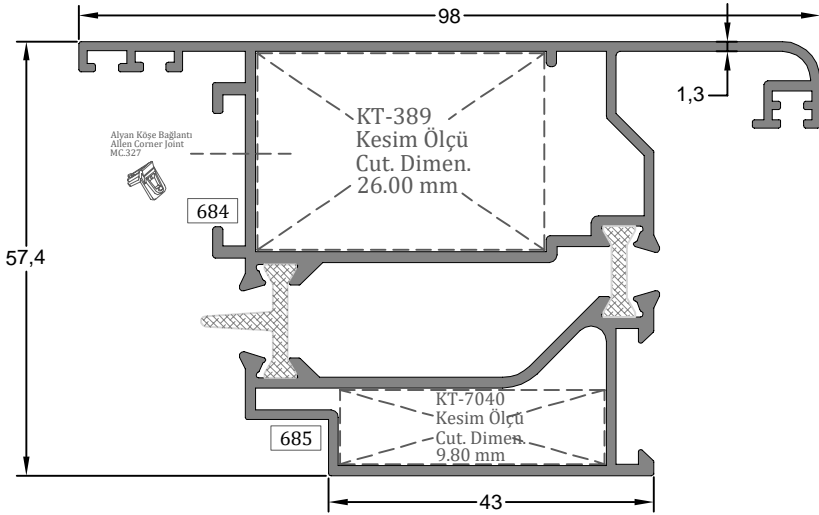
Kanat Profili	Profil Kodu Profile Code	(kg/mt) weight	Jx cm ⁴	Jy cm ⁴
SASH PROFILE	50-651-652	1,833	25,36	34,14



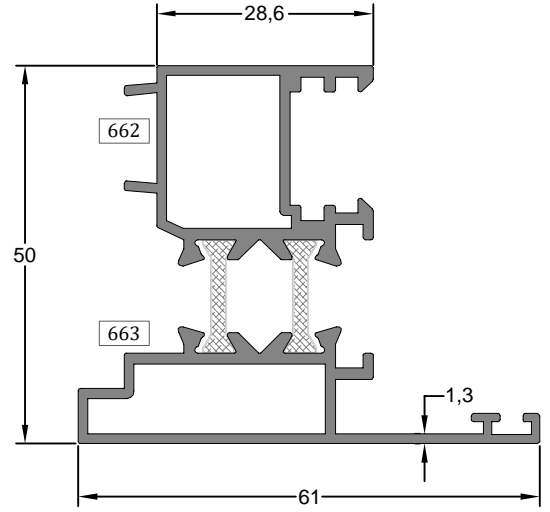
Kanat Profili	Profil Kodu Profile Code	(kg/mt) weight	Jx cm ⁴	Jy cm ⁴
SASH PROFILE	50-678-677	1,711	23,77	33,23



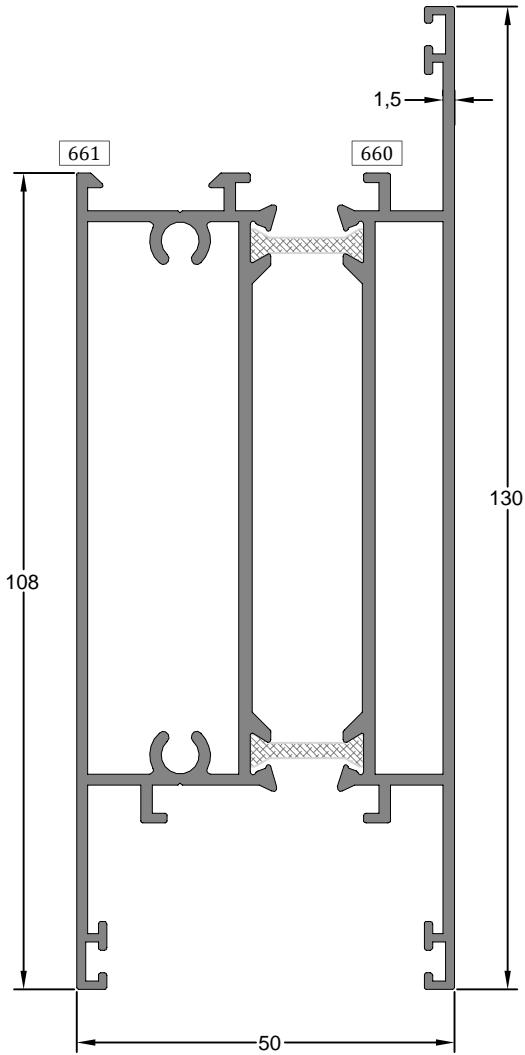
Kanat Profili	Profil Kodu Profile Code	(kg/mt) weight	Jx cm ⁴	Jy cm ⁴
SASH PROFILE	50-605-685	1,738	35,33	23,00



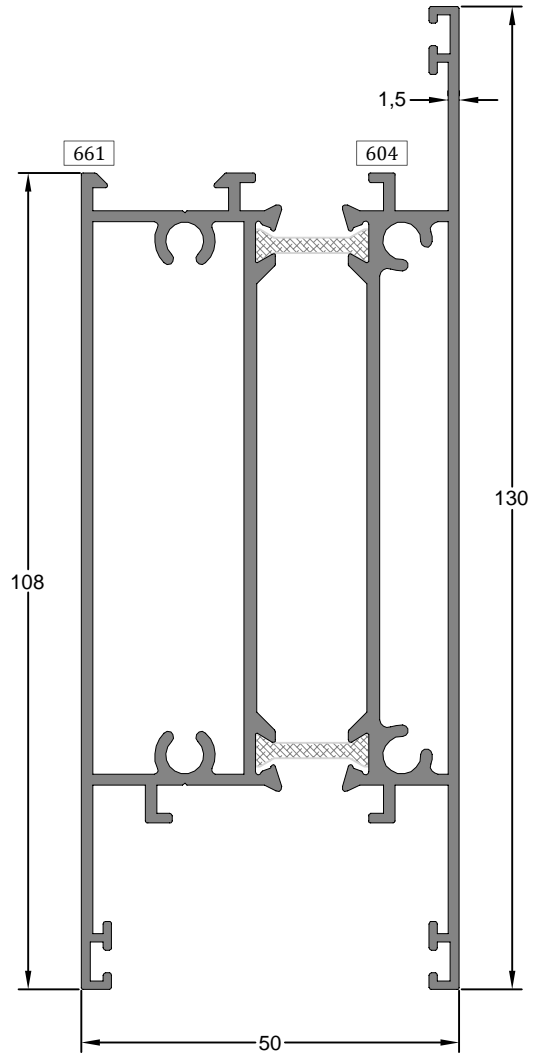
Kanat Profili	Profil Kodu Profile Code	(kg/mt) weight	Jx cm ⁴	Jy cm ⁴
SASH PROFILE	50-684-685	1,746	23,04	35,16



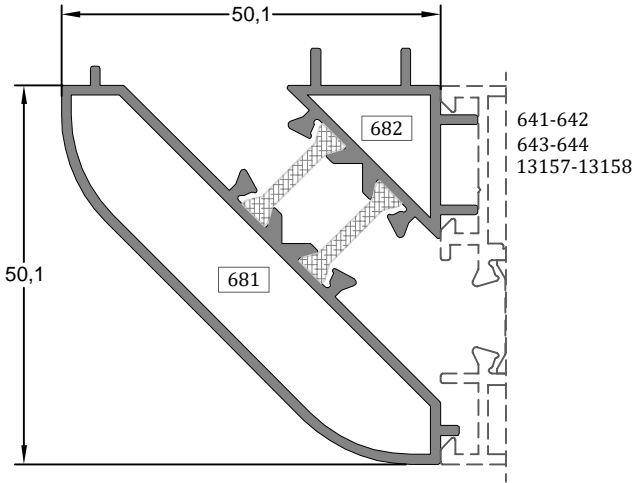
Adaptör Profili	Profil Kodu Profile Code	(kg/mt) weight	Jx cm ⁴	Jy cm ⁴
ADAPTER PROFILE	50-662-663	1,117	11,41	7,02



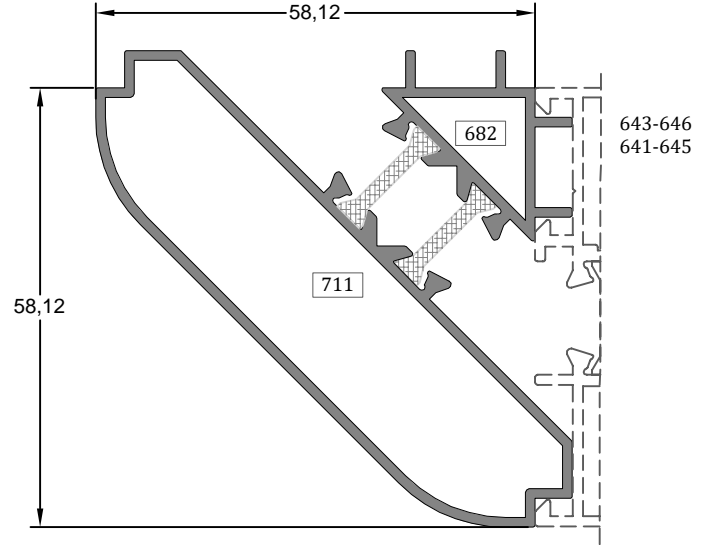
Etek Profili	Profil Kodu Profile Code	(kg/mt) weight
BOTTOM PROFILE	50-660-661	2,429



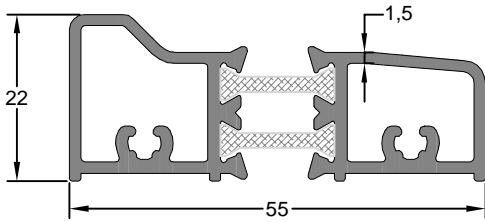
Etek Profili	Profil Kodu Profile Code	(kg/mt) weight
BOTTOM PROFILE	50-604-661	2,514



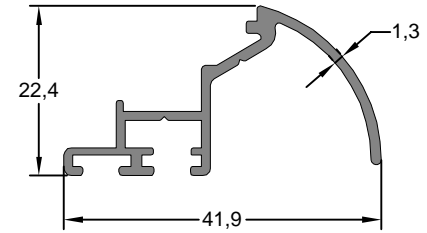
Köşe Dönü Profili	Profil Kodu	(kg/mt)
CORNER PROFILE	Profile Code	weight
	50-681-682	1,084



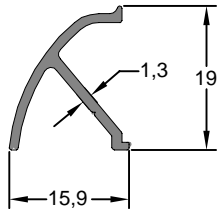
Köşe Dönü Profili	Profil Kodu	(kg/mt)
CORNER PROFILE	Profile Code	weight
	50-711-682	1,211



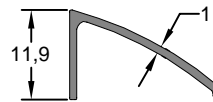
Damlalık Profili	Profil Kodu	(kg/mt)
SILL PROFILE	Profile Code	weight
	55-4356-4357	0,326



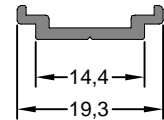
Damlalık Profili	Profil Kodu	(kg/mt)
SILL PROFILE	Profile Code	weight
	12375	0,326



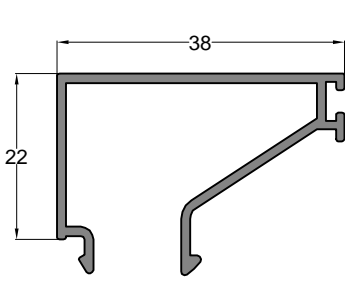
Damlalık Profili	Profil Kodu	(kg/mt)
SILL PROFILE	Profile Code	weight
	7021	0,140



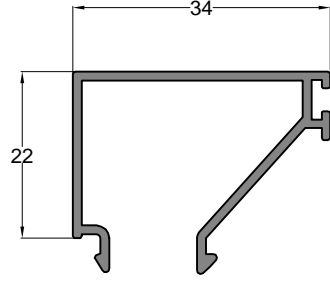
Damlalık Profili	Profil Kodu	(kg/mt)
SILL PROFILE	Profile Code	weight
	4242	0,094



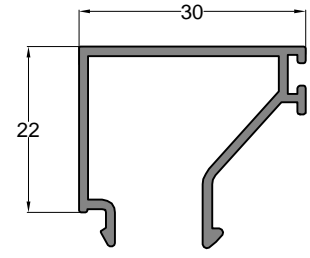
Tij Profili	Profil Kodu	(kg/mt)
STEM BAR PROFILE	Profile Code	weight
	8241	0,099



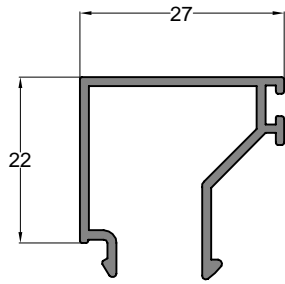
Cam Çıtası	Profil Kodu	(kg/mt)
GLAZING BEAD	Profile Code	Weight
	7043	0,366



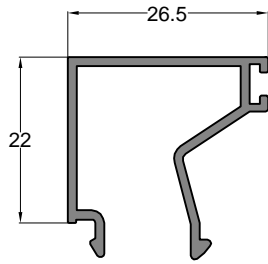
Cam Çıtası	Profil Kodu	(kg/mt)
GLAZING BEAD	Profile Code	Weight
	676	0,331



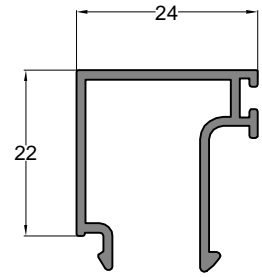
Cam Çıtası	Profil Kodu	(kg/mt)
GLAZING BEAD	Profile Code	Weight
	7036	0,319



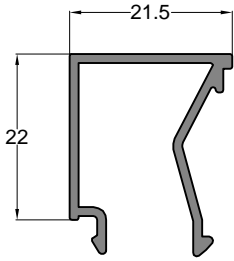
Cam Çıtası	Profil Kodu	(kg/mt)
GLAZING BEAD	Profile Code	Weight
	606	0,299



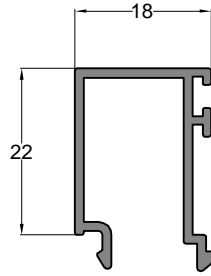
Cam Çıtası	Profil Kodu	(kg/mt)
GLAZING BEAD	Profile Code	Weight
	792	0,301



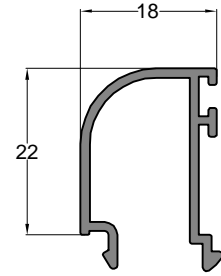
Cam Çıtası	Profil Kodu	(kg/mt)
GLAZING BEAD	Profile Code	Weight
	7023	0,294



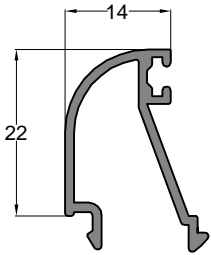
Cam Çıtası	Profil Kodu	(kg/mt)
GLAZING BEAD	Profile Code	Weight
	770	0,270



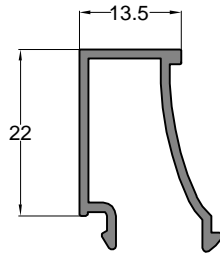
Cam Çıtası	Profil Kodu	(kg/mt)
GLAZING BEAD	Profile Code	Weight
	664	0,266



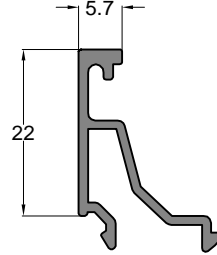
Cam Çıtası	Profil Kodu	(kg/mt)
GLAZING BEAD	Profile Code	Weight
	665	0,253



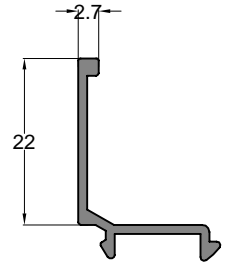
Cam Çıtası	Profil Kodu	(kg/mt)
GLAZING BEAD	Profile Code	Weight
	791	0,239



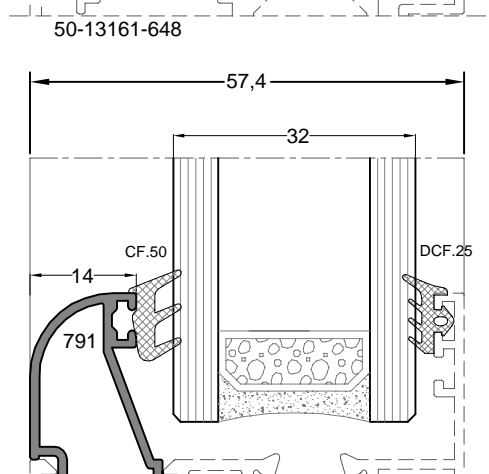
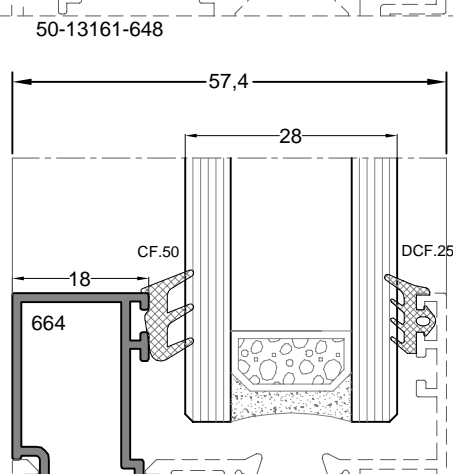
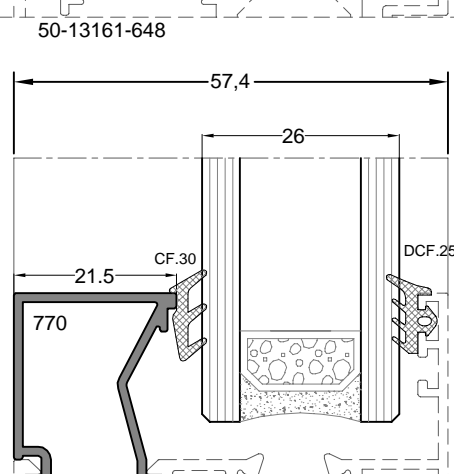
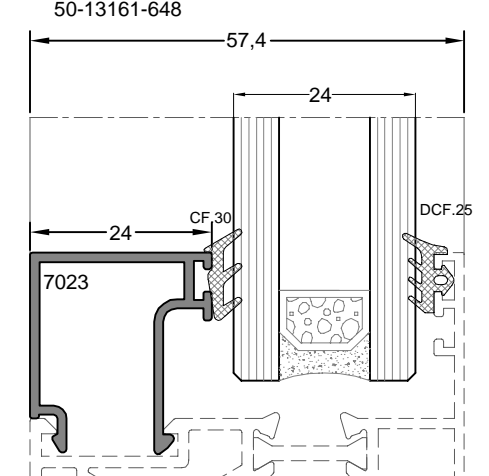
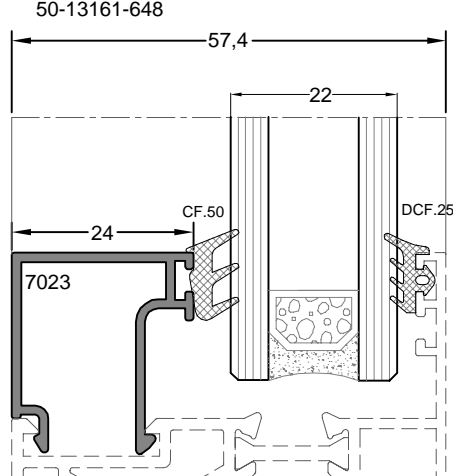
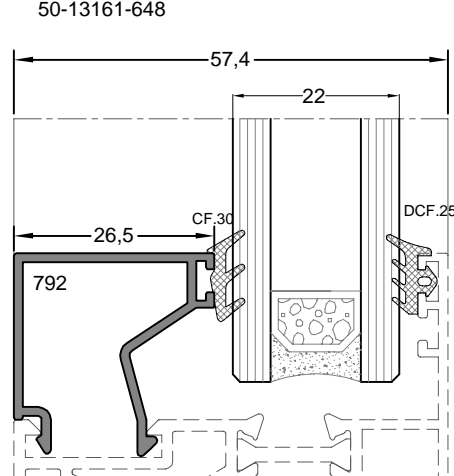
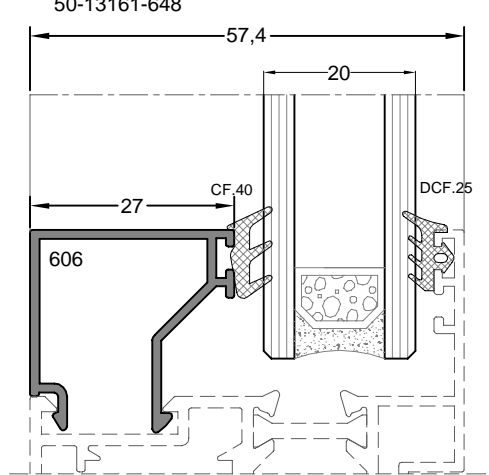
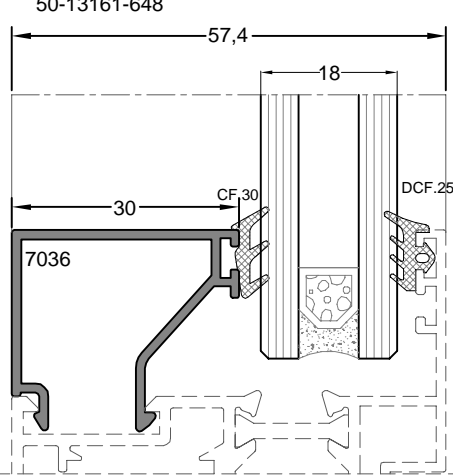
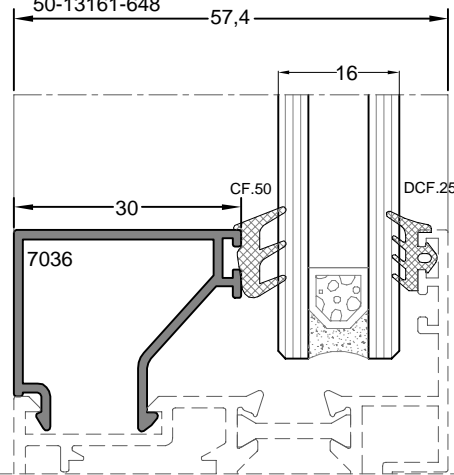
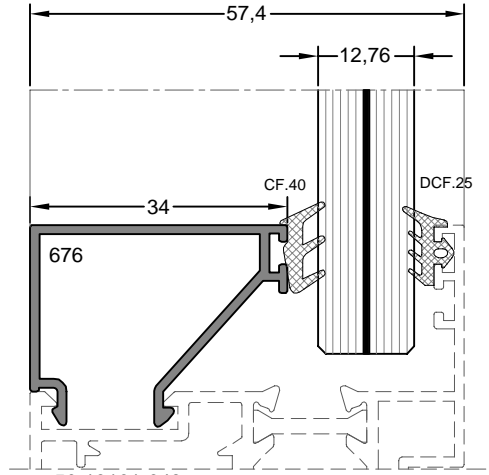
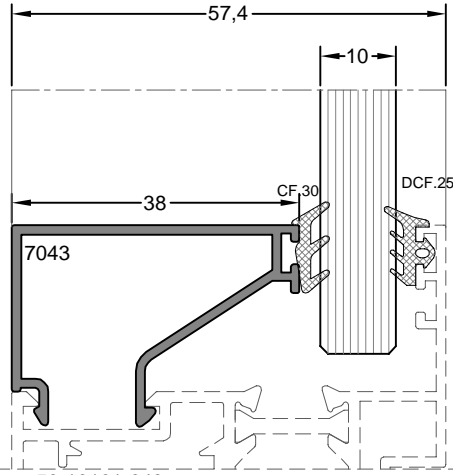
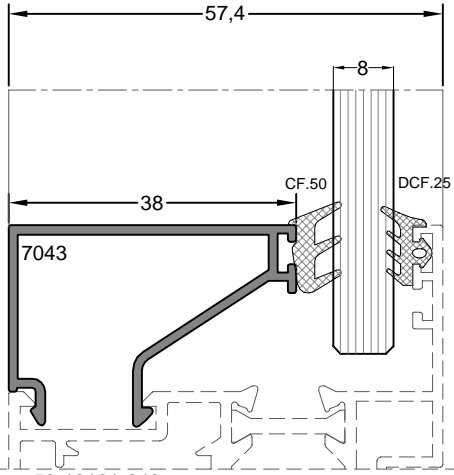
Cam Çıtası	Profil Kodu	(kg/mt)
GLAZING BEAD	Profile Code	Weight
	793	0,235

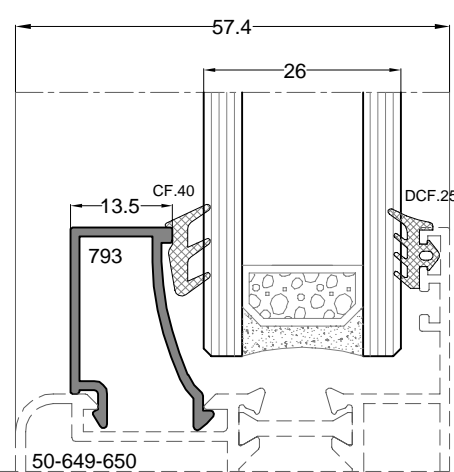
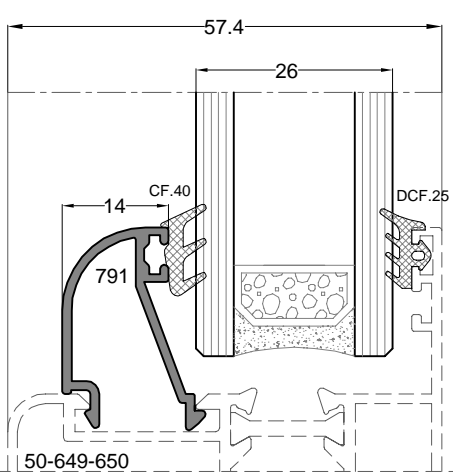
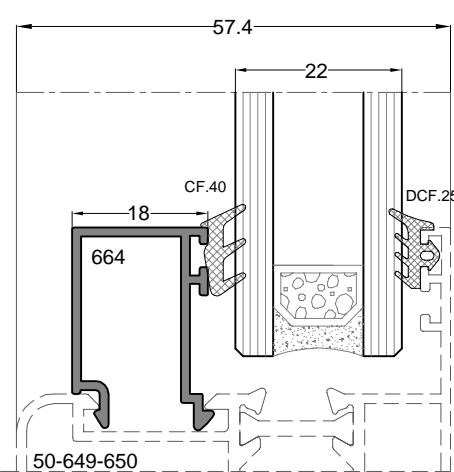
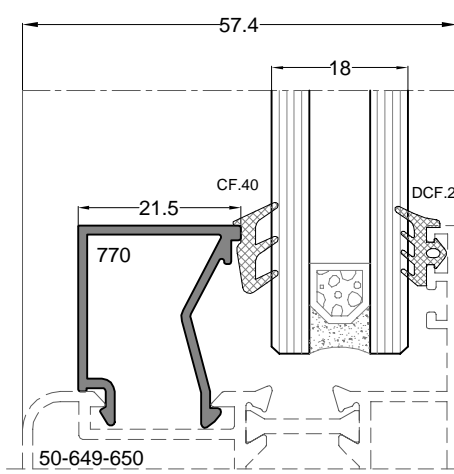
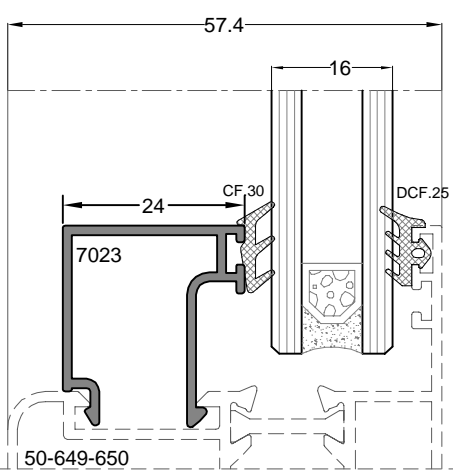
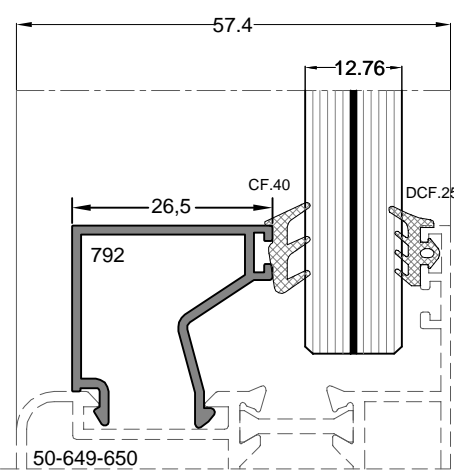
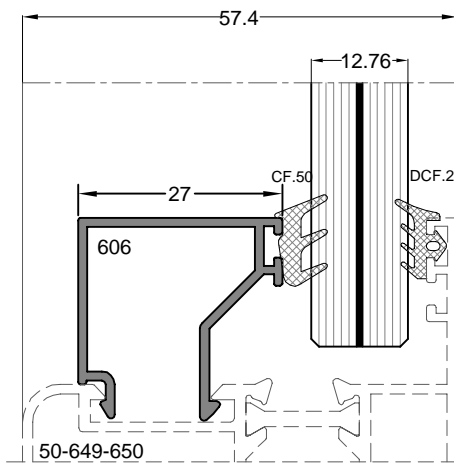
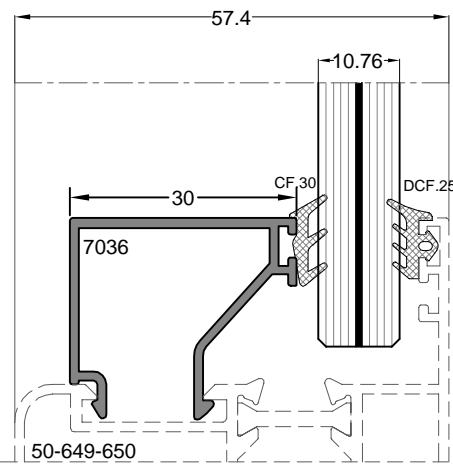
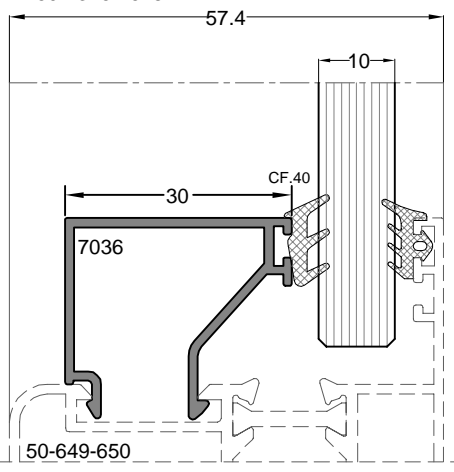
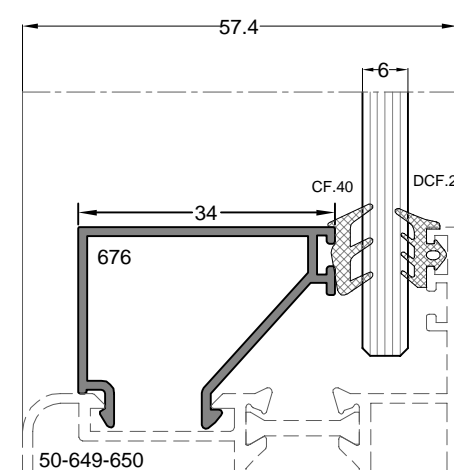
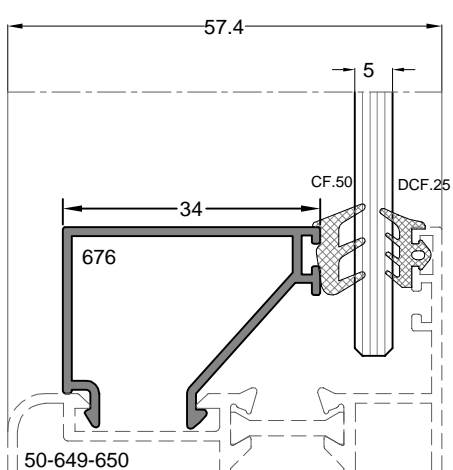
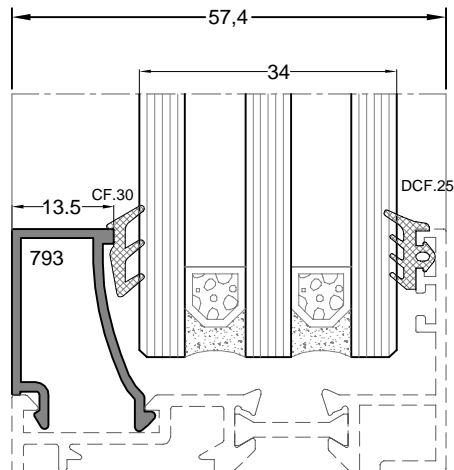


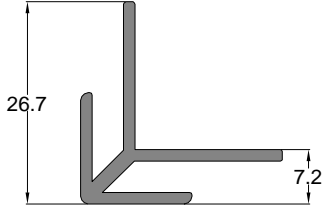
Cam Çıtası	Profil Kodu	(kg/mt)
GLAZING BEAD	Profile Code	Weight
	772	0,225



Cam Çıtası	Profil Kodu	(kg/mt)
GLAZING BEAD	Profile Code	Weight
	771	0,165

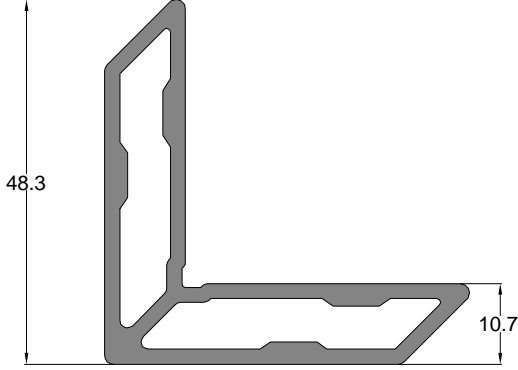






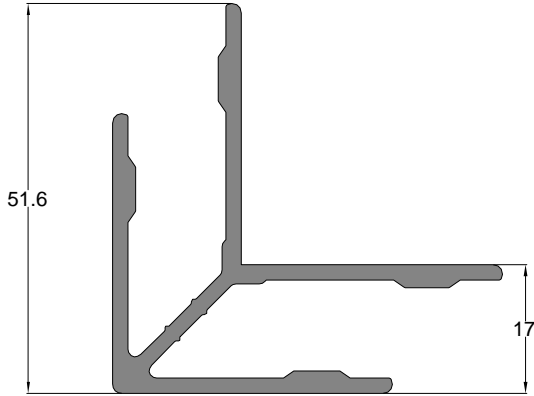
Kö e Çavu Profili CORNER CONNECTION PROFILE	Profil Kodu Profile Code	(kg/mt) weight
	153	0,308

Kö e Çavu Profil Kodu Corner Connection Profile Code	Kullanıldığı Profil Compatible Profile	Kesim Boyu (mm) Cutting Length (mm)
153	648	9.60 mm



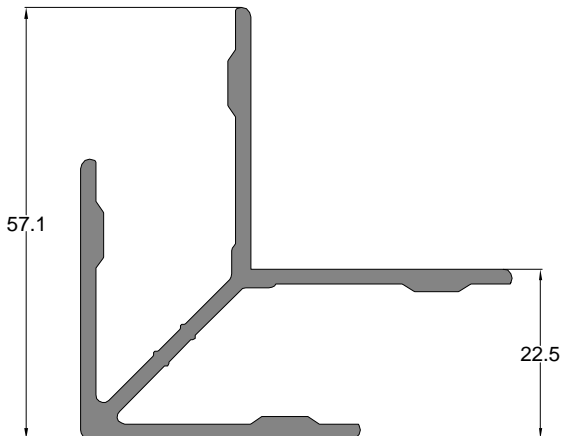
Kö e Çavu Profili CORNER CONNECTION PROFILE	Profil Kodu Profile Code	(kg/mt) weight
	386	1,088

Kö e Çavu Profil Kodu Corner Connection Profile Code	Kullanıldığı Profil Compatible Profile	Kesim Boyu (mm) Cutting Length (mm)
386	643	19.00 mm
	649	26.20 mm



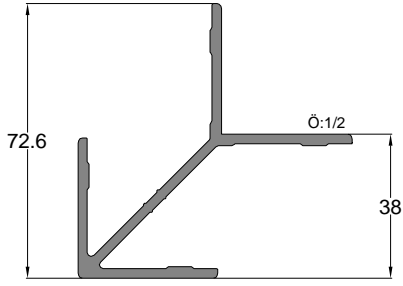
Kö e Çavu Profili CORNER CONNECTION PROFILE	Profil Kodu Profile Code	(kg/mt) weight
	387	0,970

Kö e Çavu Profil Kodu Corner Connection Profile Code	Kullanıldığı Profil Compatible Profile	Kesim Boyu (mm) Cutting Length (mm)
387	650	9.60 mm
	602	9.60 mm



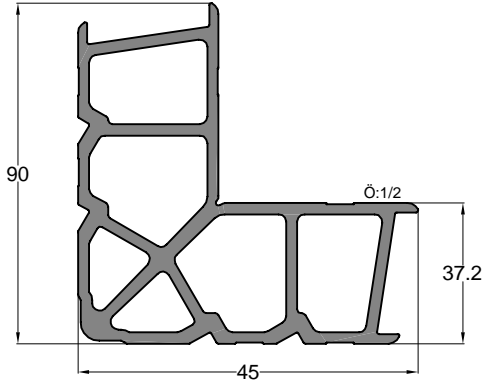
Kö e Çavu Profili CORNER CONNECTION PROFILE	Profil Kodu Profile Code	(kg/mt) weight
	388	1,012

Kö e Çavu Profil Kodu Corner Connection Profile Code	Kullanıldığı Profil Compatible Profile	Kesim Boyu (mm) Cutting Length (mm)
388	644	8.70 mm
	646	16.70 mm



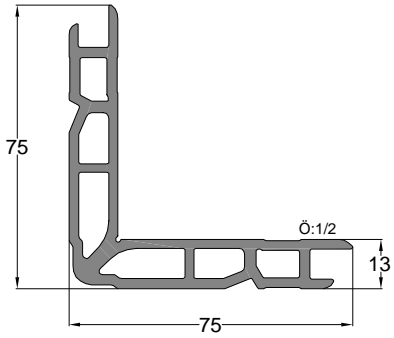
Kö e Çavru Profil Kodu Corner Connection Profile Code	Kullanıldığı Profil Compatible Profile	Kesim Boyu (mm) Cutting Length (mm)
389	678	9.60 mm
	605	26.00 mm
	684	26.00 mm

Kö e Çavru Profili CORNER CONNECTION PROFILE	Profil Kodu Profile Code	(kg/mt) weight
	389	1,338



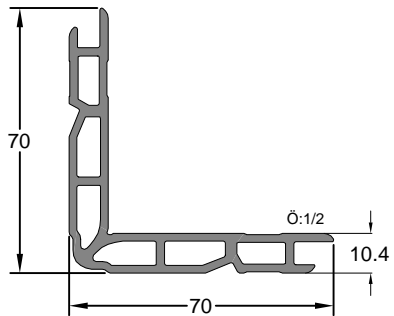
Kö e Takozu Profil Kodu Corner Wedge Profile Code	Kullanıldığı Profil Compatible Profile	Kesim Boyu (mm) Cutting Length (mm)
1664	651	9.40 mm

Kö e Takoz Profili CORNER WEDGE PROFILE	Profil Kodu Profile Code	(kg/mt) weight
	1664	3,991



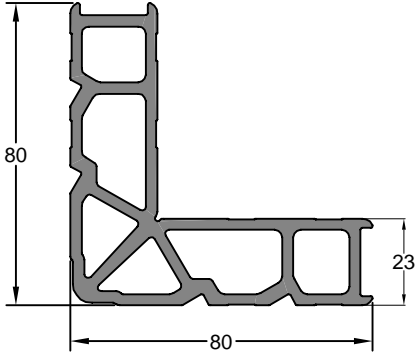
Kö e Takozu Profil Kodu Corner Wedge Profile Code	Kullanıldığı Profil Compatible Profile	Kesim Boyu (mm) Cutting Length (mm)
2371	642	8.70 mm
	645	16.70 mm

Kö e Takoz Profili CORNER WEDGE PROFILE	Profil Kodu Profile Code	(kg/mt) weight
	2371	2,241



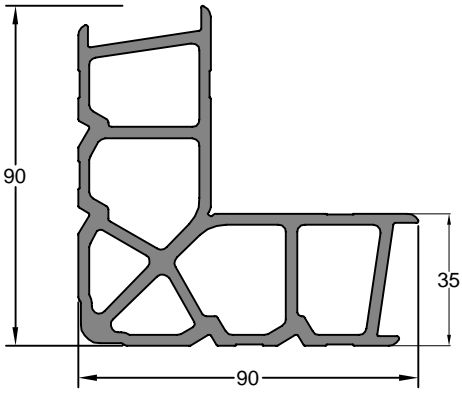
Kö e Takozu Profil Kodu Corner Wedge Profile Code	Kullanıldığı Profil Compatible Profile	Kesim Boyu (mm) Cutting Length (mm)
598	641	19.00 mm
	643	19.00 mm
	638	19.00 mm
	649	26.20 mm
	647	26.20 mm
	601	26.20 mm

Kö e Takoz Profili CORNER WEDGE PROFILE	Profil Kodu Profile Code	(kg/mt) weight
	598	2,241



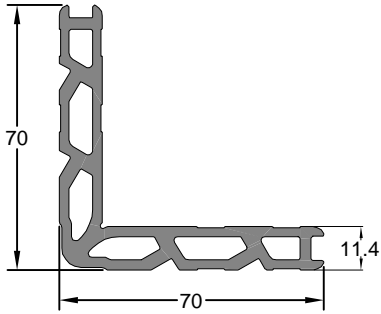
Kö e Takoz Profili	Profil Kodu	(kg/mt)
CORNER WEDGE PROFILE	Profile Code	weight
	3546	3,357

Kö e Takozu Profil Kodu	Kullanıldığı Profil	Kesim Boyu (mm)
Corner Wedge Profile Code	Compatible Profile	Cutting Length (mm)
3546	644	8.70 mm
	646	16.70 mm



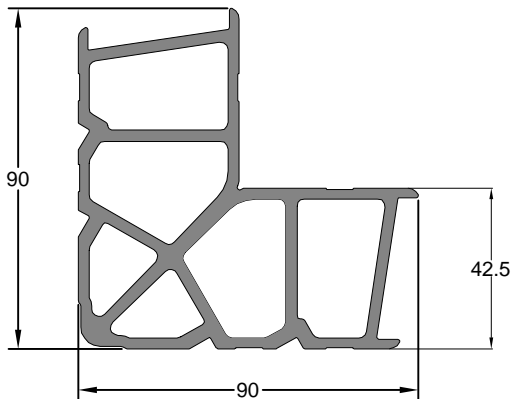
Kö e Takoz Profili	Profil Kodu	(kg/mt)
CORNER WEDGE PROFILE	Profile Code	weight
	7040	3,998

Kö e Takozu Profil Kodu	Kullanıldığı Profil	Kesim Boyu (mm)
Corner Wedge Profile Code	Compatible Profile	Cutting Length (mm)
7040	684	9.80 mm



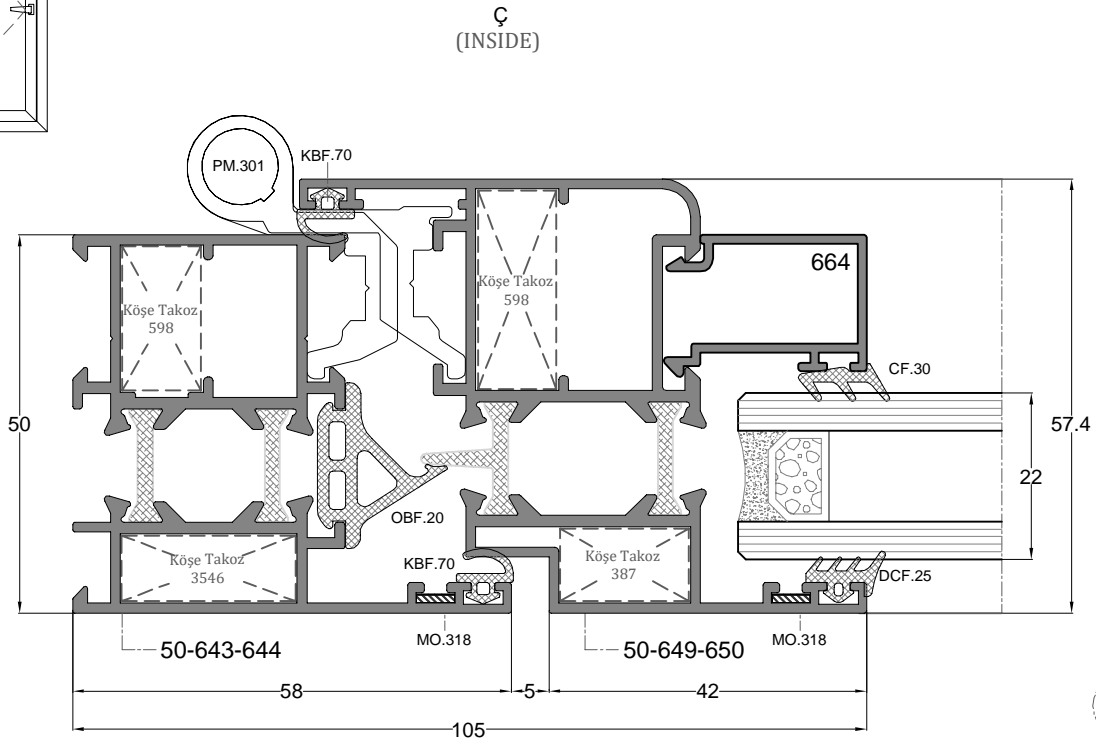
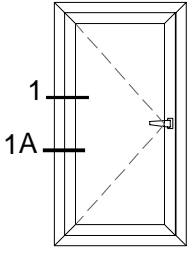
Kö e Takoz Profili	Profil Kodu	(kg/mt)
CORNER WEDGE PROFILE	Profile Code	weight
	5022	2,245

Kö e Takozu Profil Kodu	Kullanıldığı Profil	Kesim Boyu (mm)
Corner Wedge Profile Code	Compatible Profile	Cutting Length (mm)
5022	13158	8.50 mm
	13160	9.40 mm

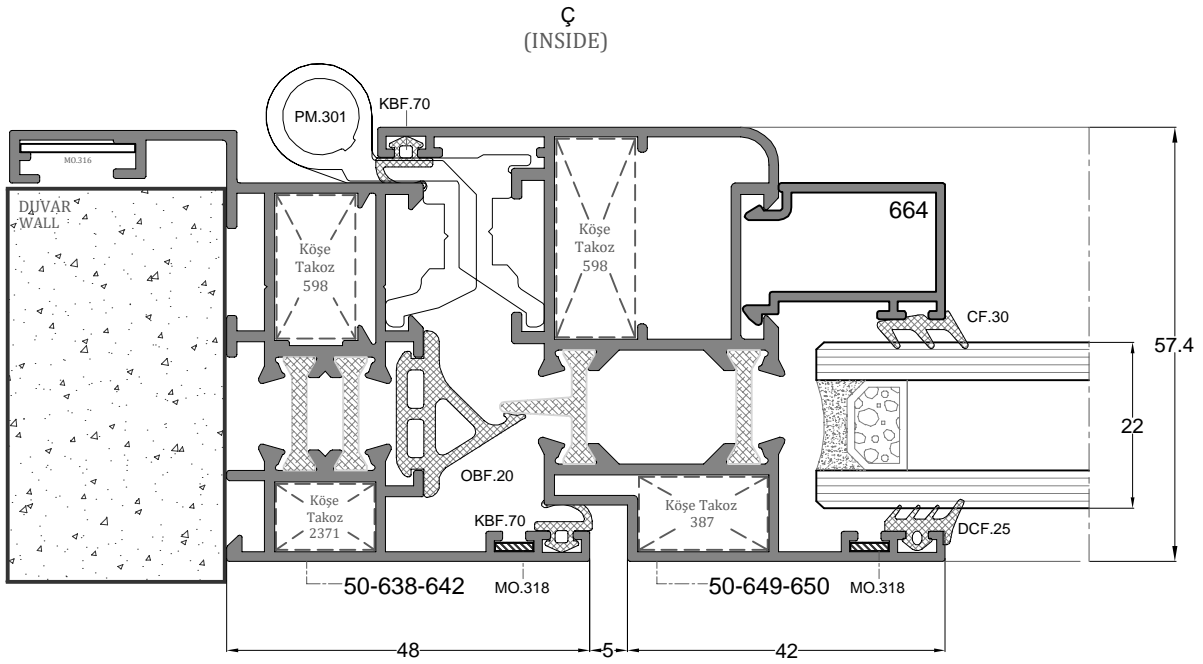


Kö e Takoz Profili	Profil Kodu	(kg/mt)
CORNER WEDGE PROFILE	Profile Code	weight
	597	4,241

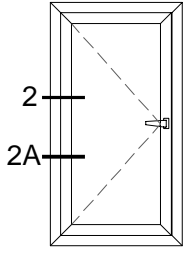
Kö e Takozu Profil Kodu	Kullanıldığı Profil	Kesim Boyu (mm)
Corner Wedge Profile Code	Compatible Profile	Cutting Length (mm)
597	652	26.00 mm
	677	26.00 mm



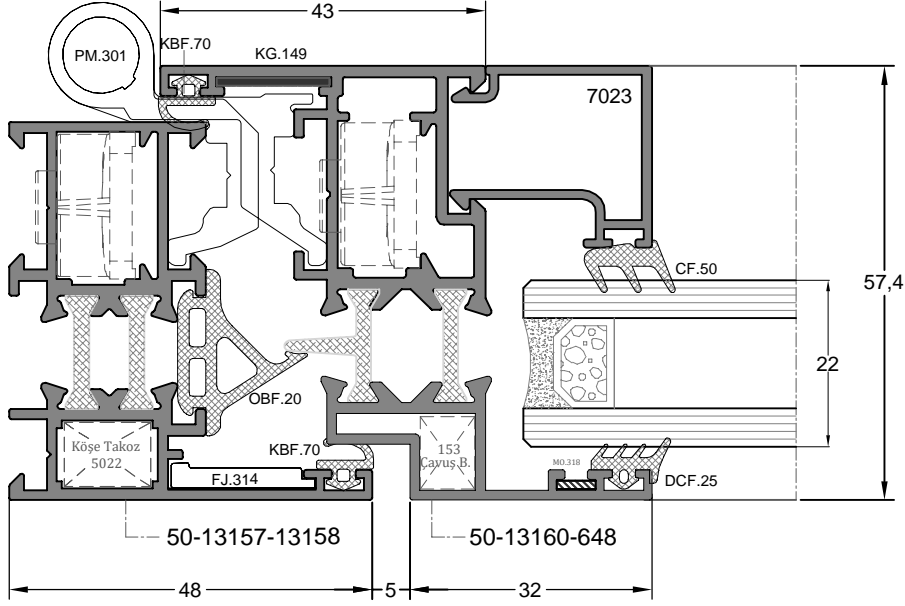
DI
(OUTSIDE)



DI
(OUTSIDE)



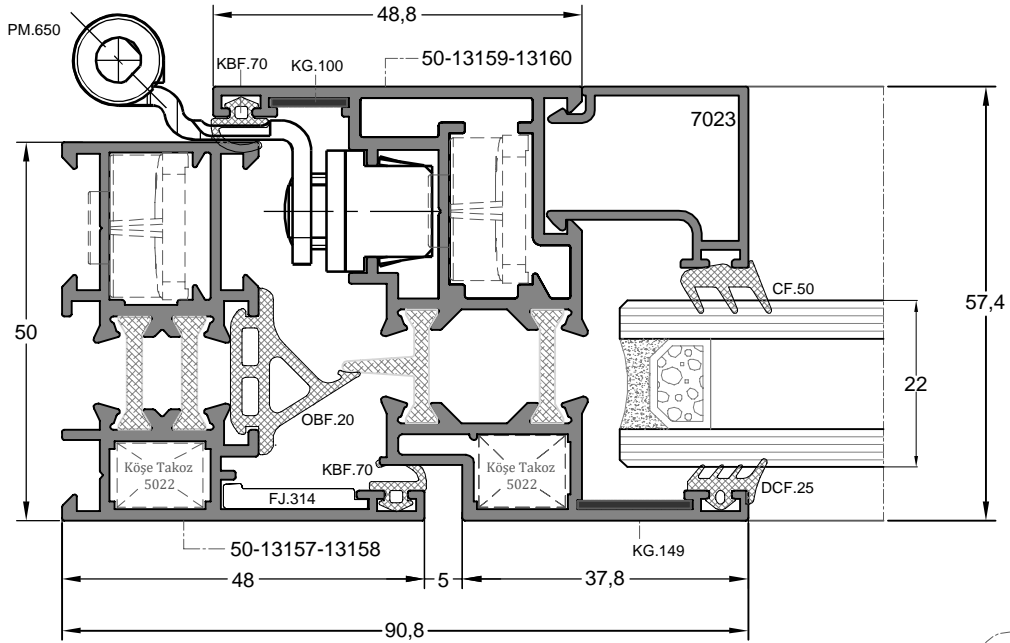
Ç
(INSIDE)



D1
(OUTSIDE)

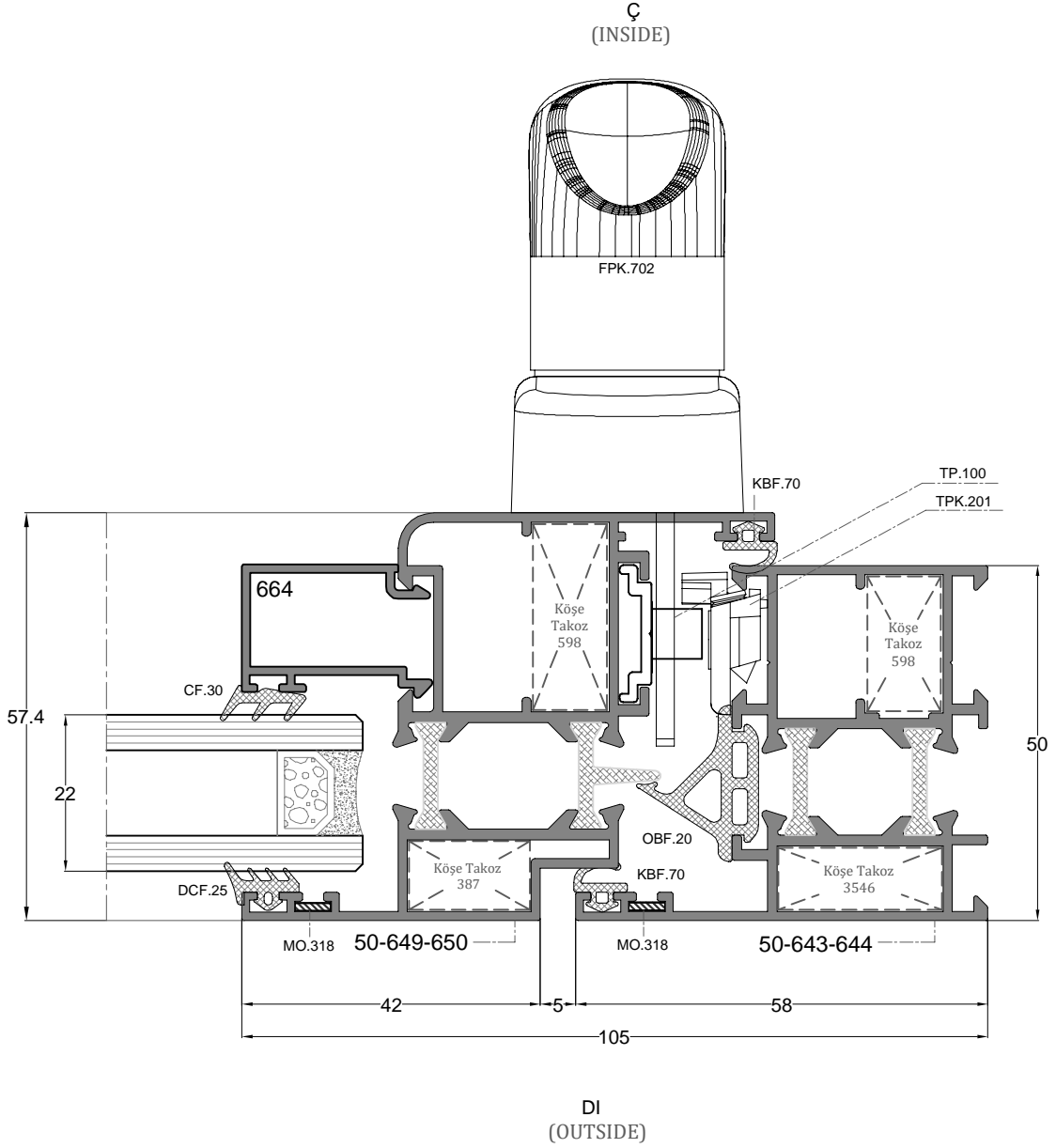
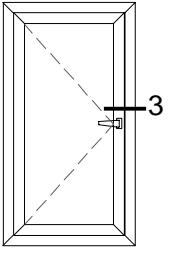
D-2

Ç
(INSIDE)

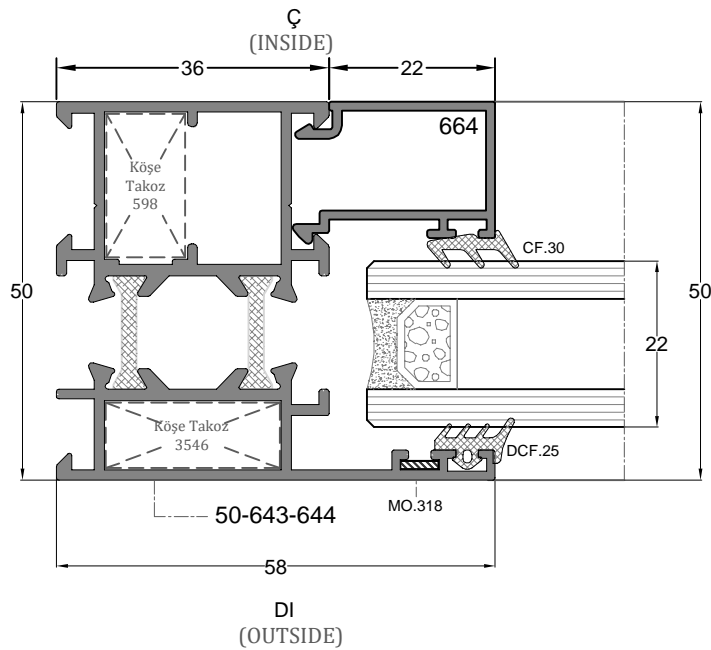
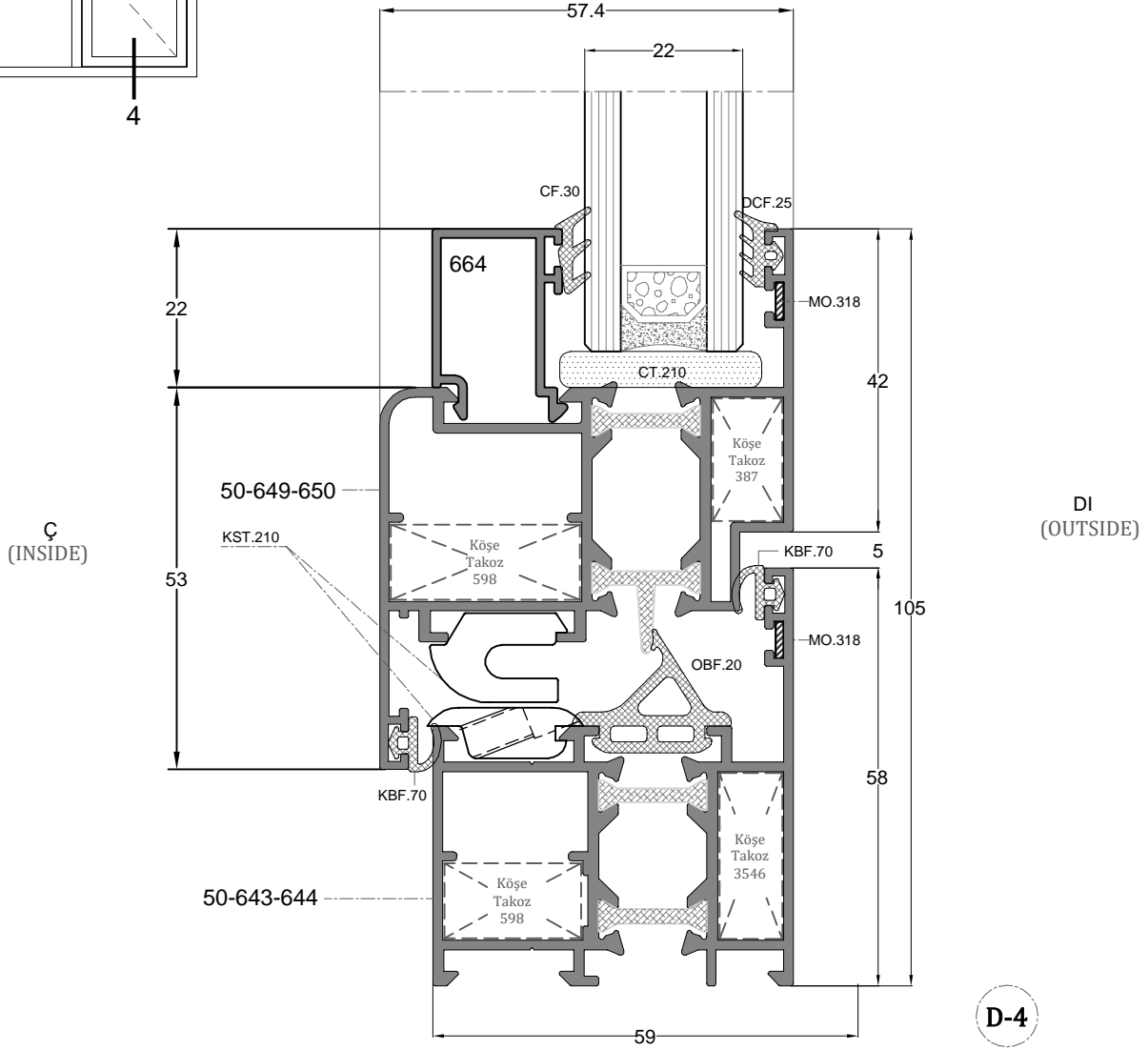
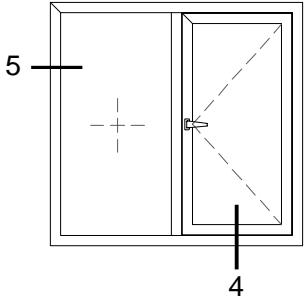


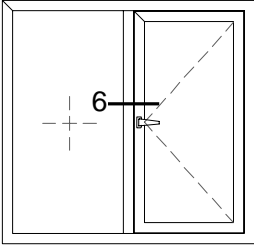
D1
(OUTSIDE)

D-2A

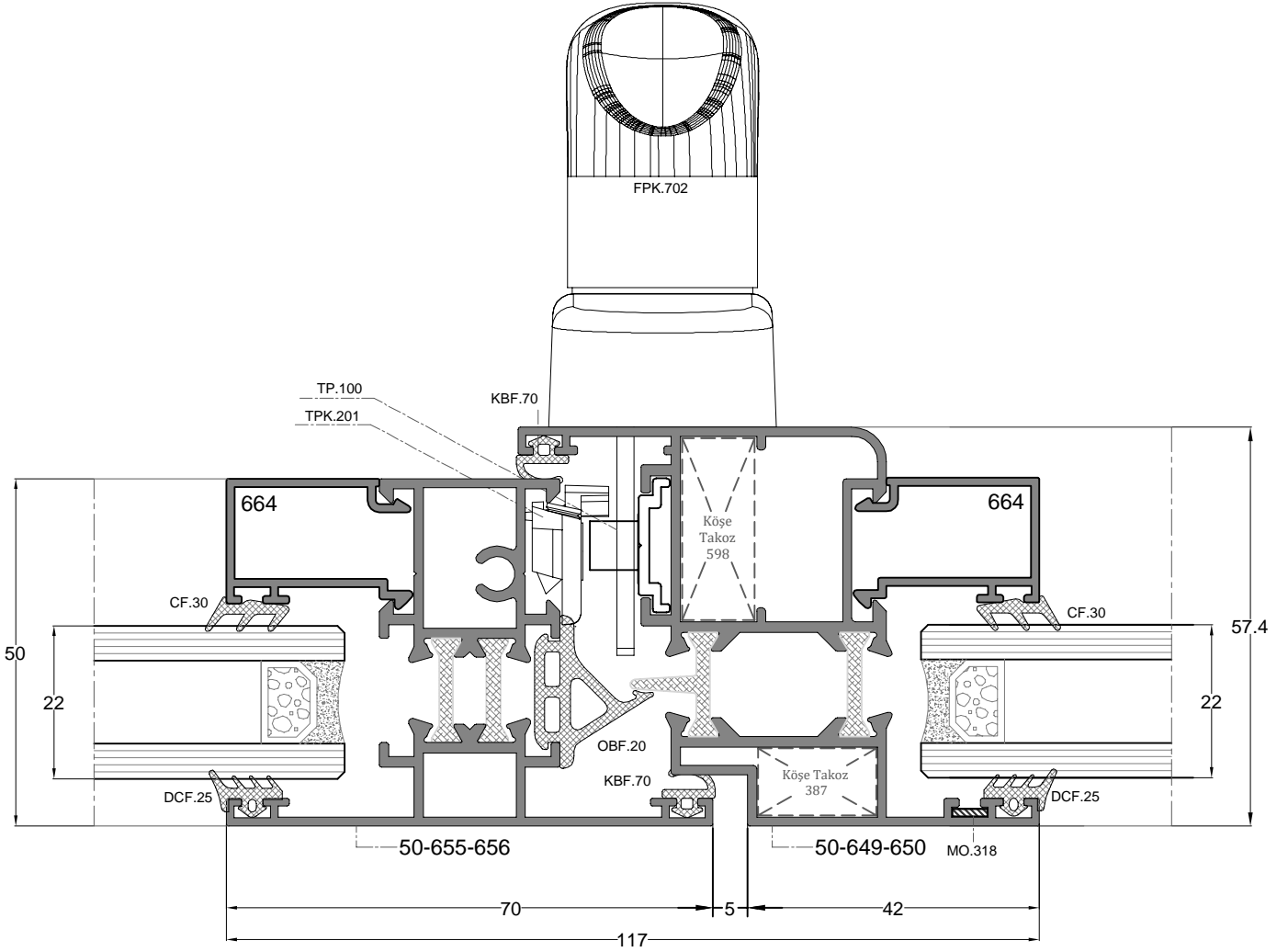


D-3



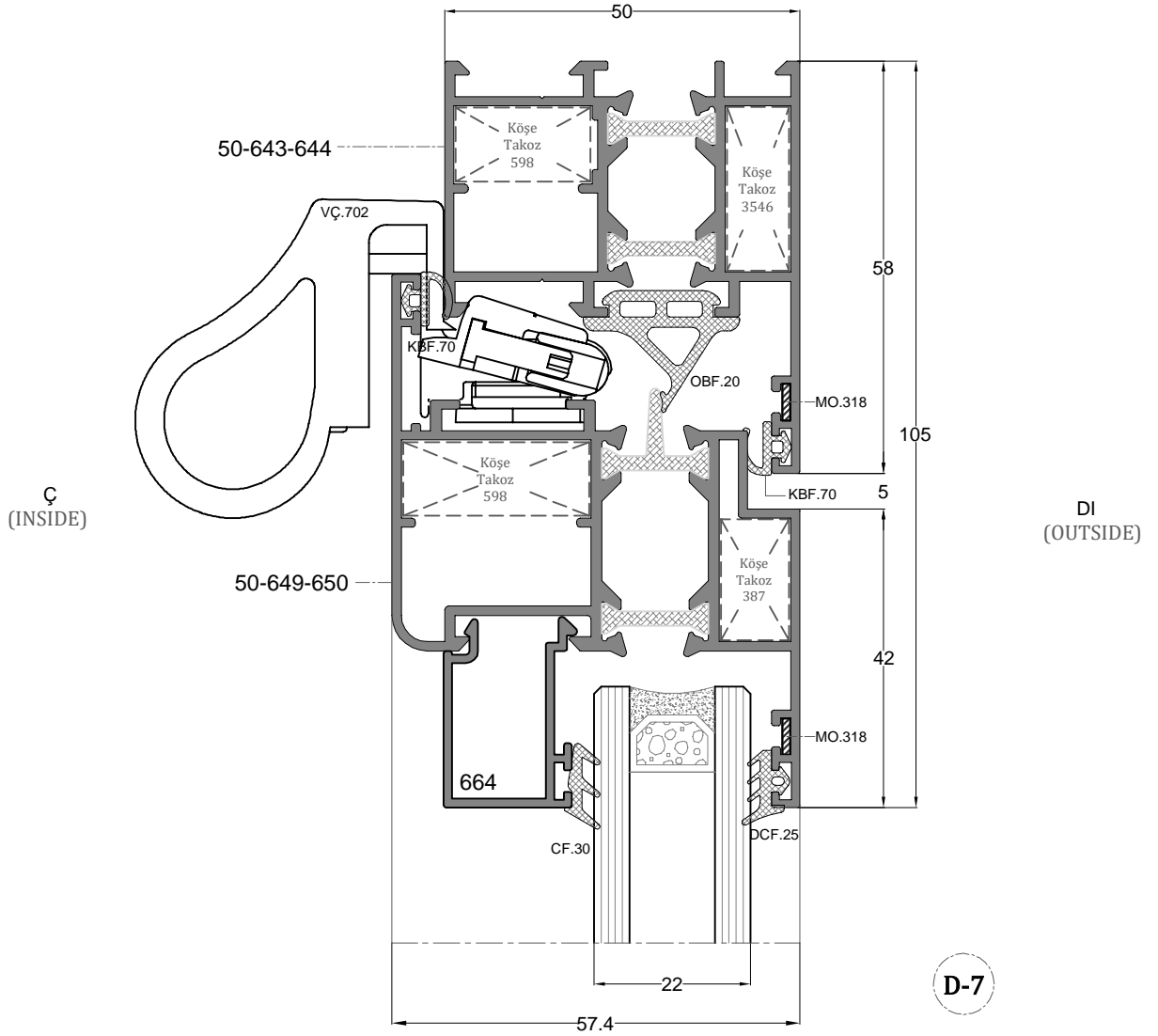
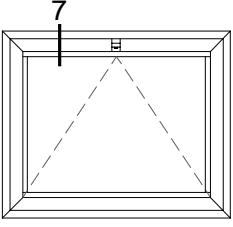


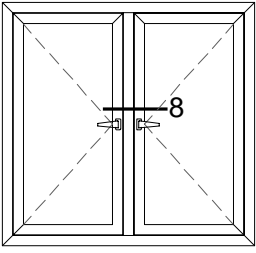
Ç
(INSIDE)



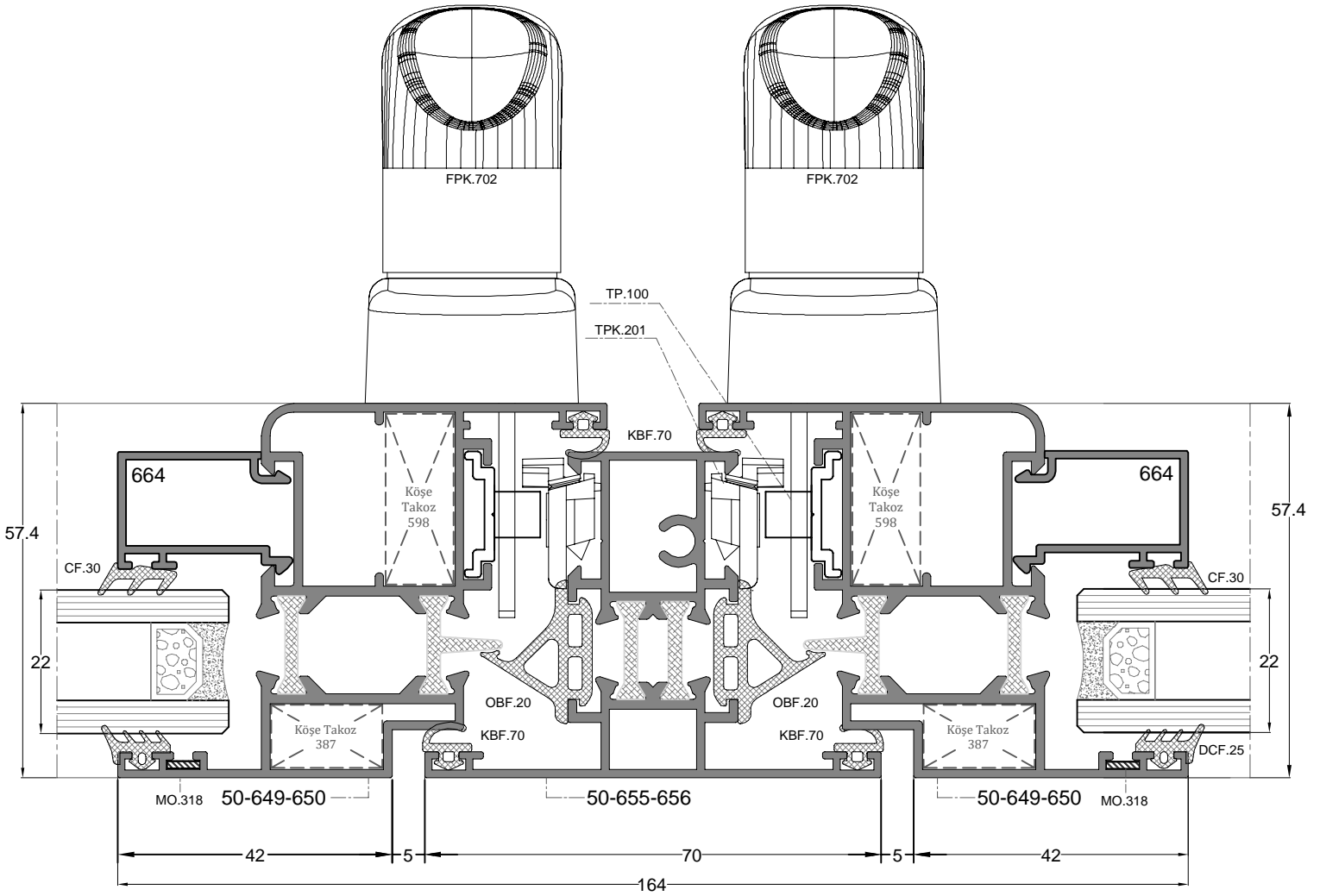
Dİ
(OUTSIDE)

D-6



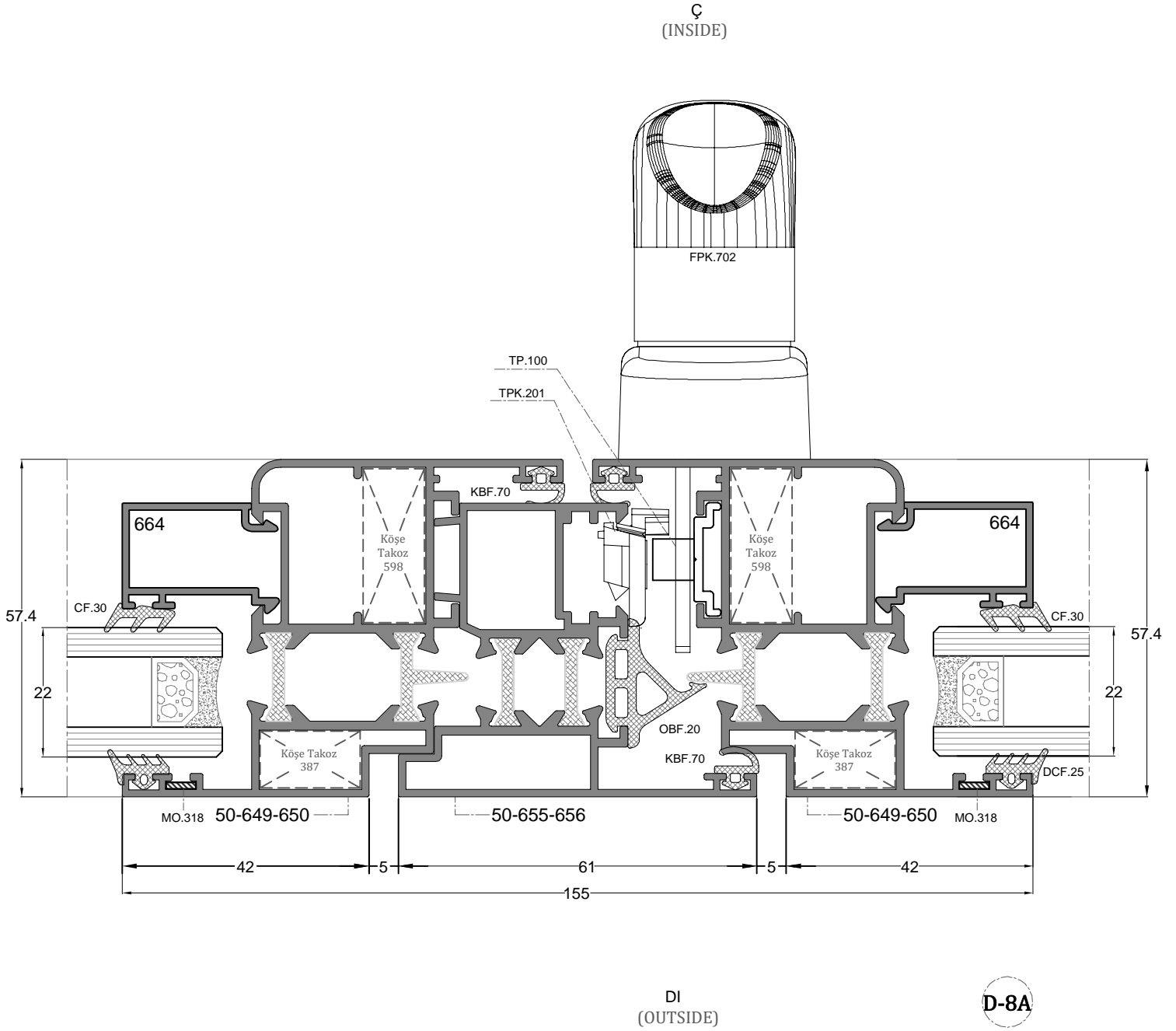
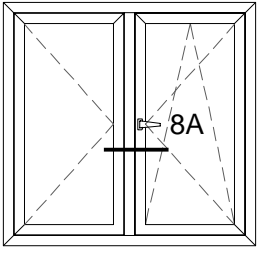


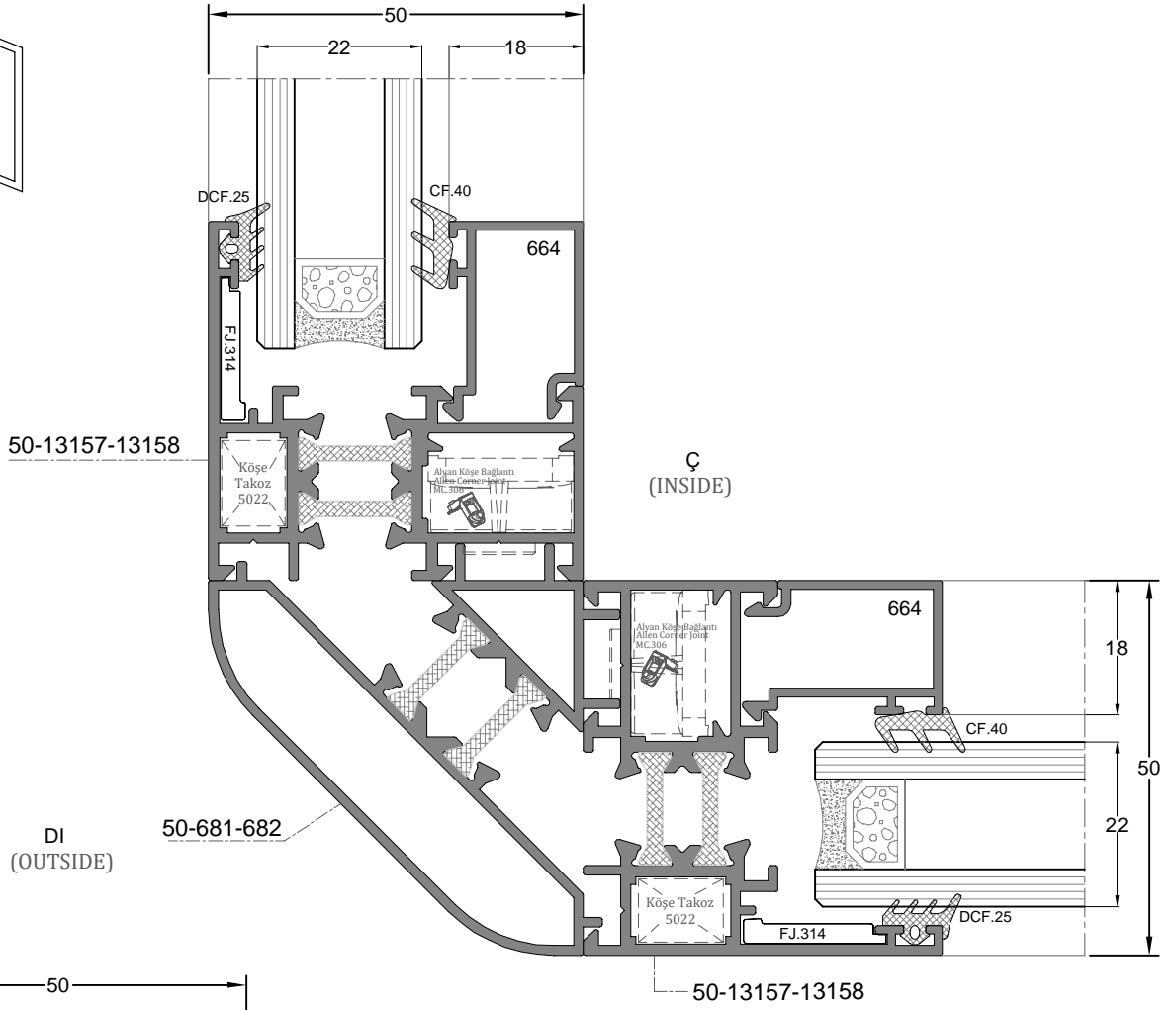
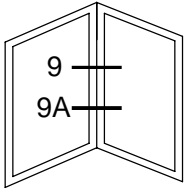
Ç
(INSIDE)



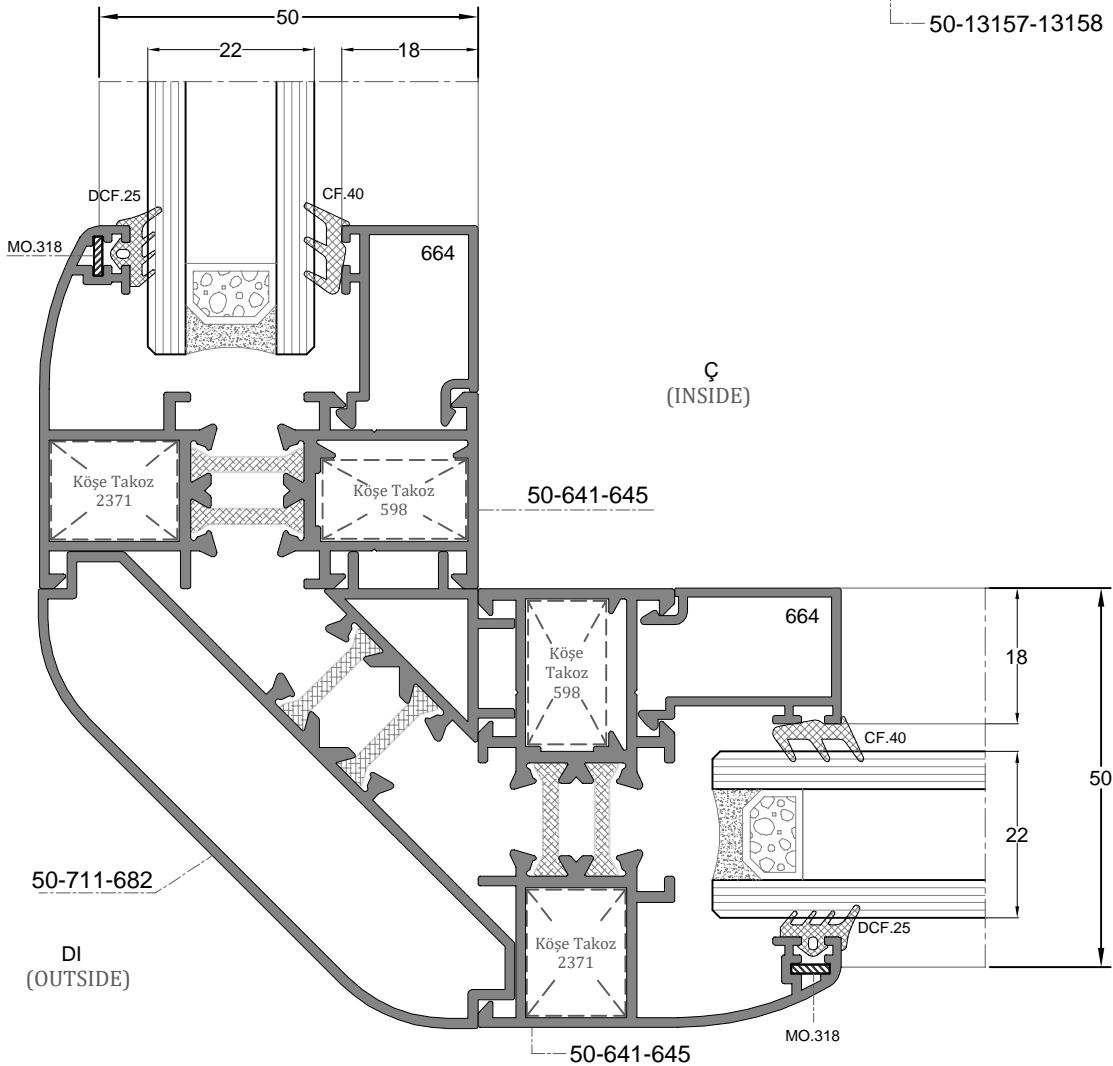
DI
(OUTSIDE)

D-8

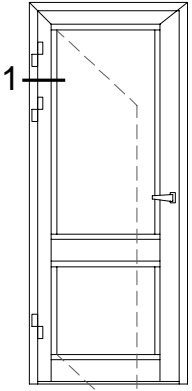




D-9

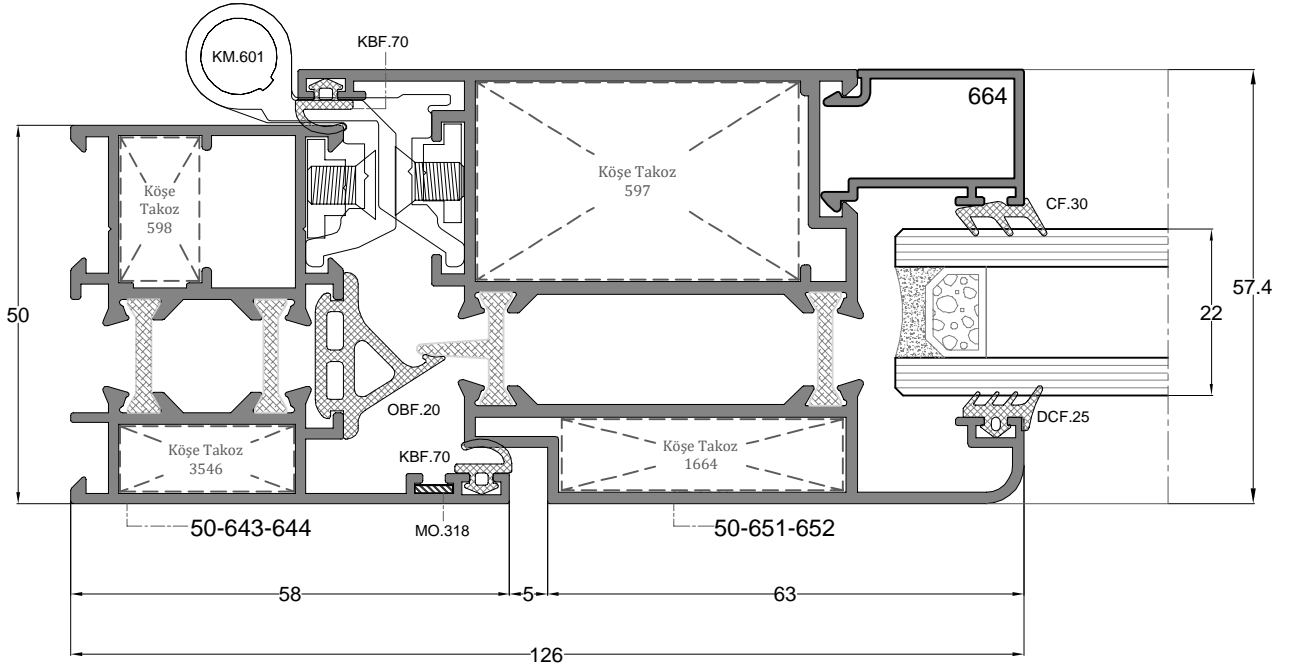


D-9A



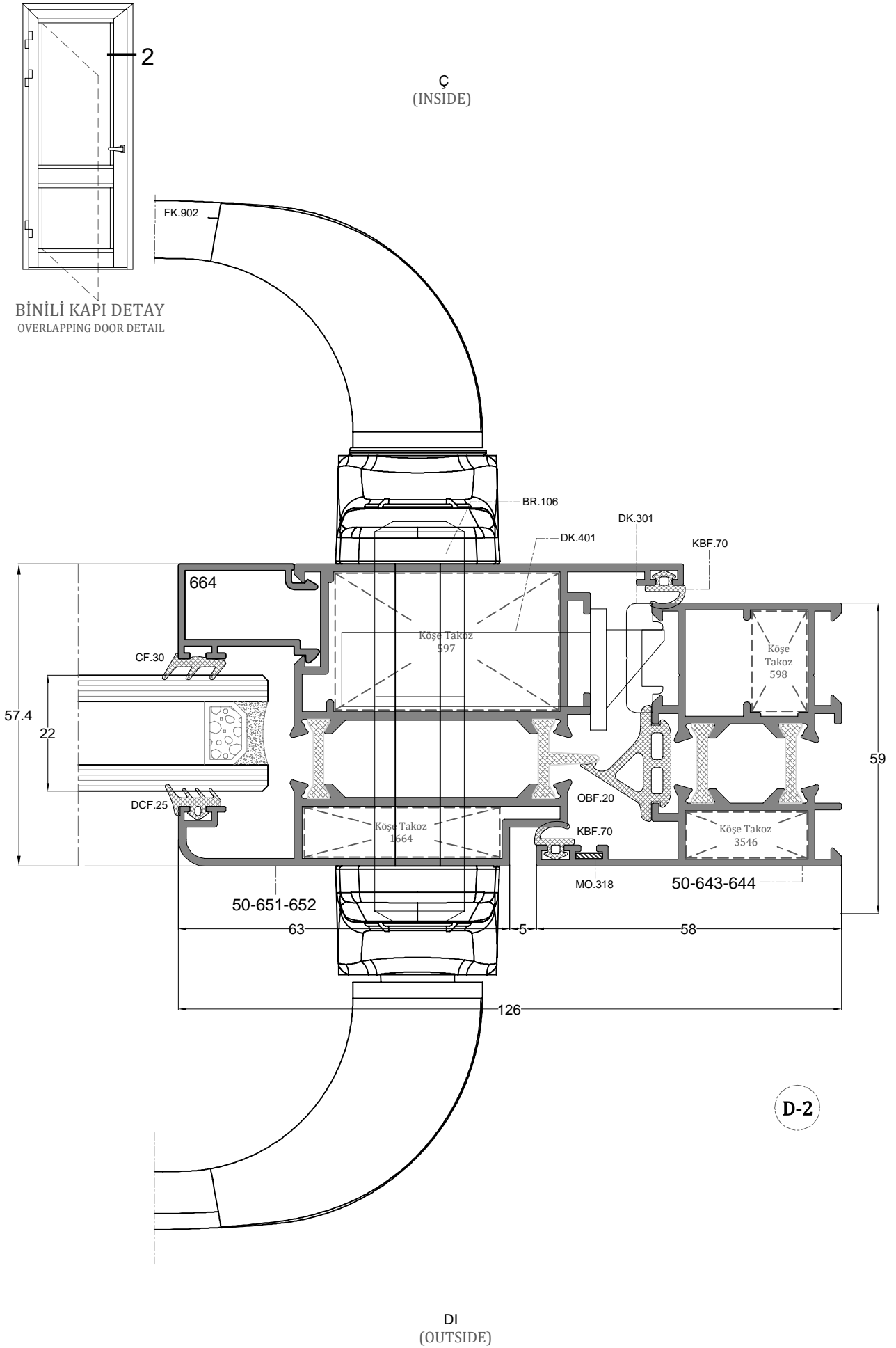
BİNİLİ KAPI DETAY
OVERLAPPING DOOR DETAIL

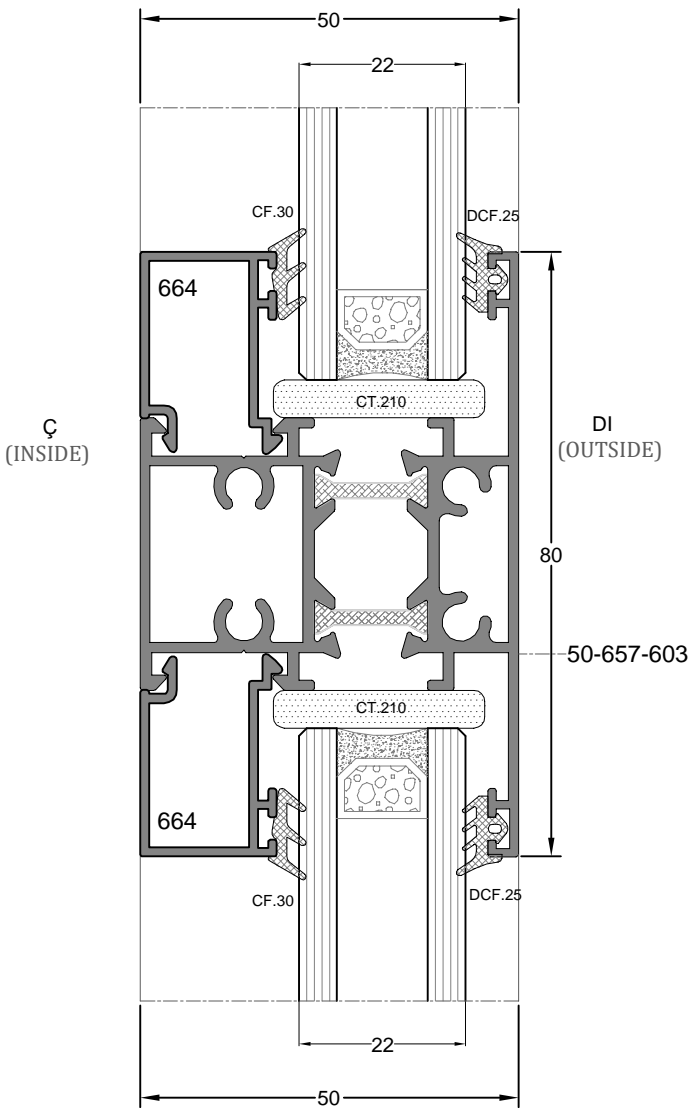
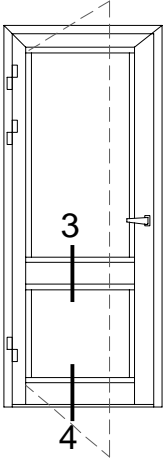
Ç
(INSIDE)



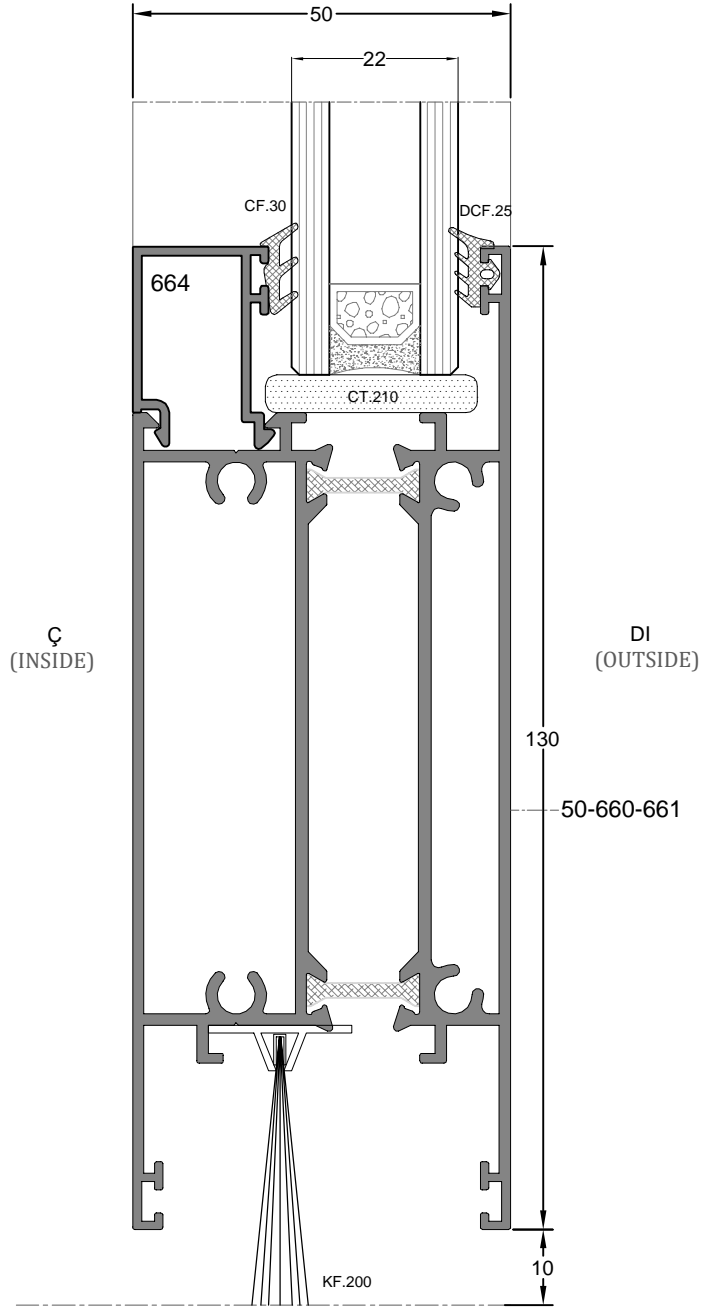
D-1

DI
(OUTSIDE)

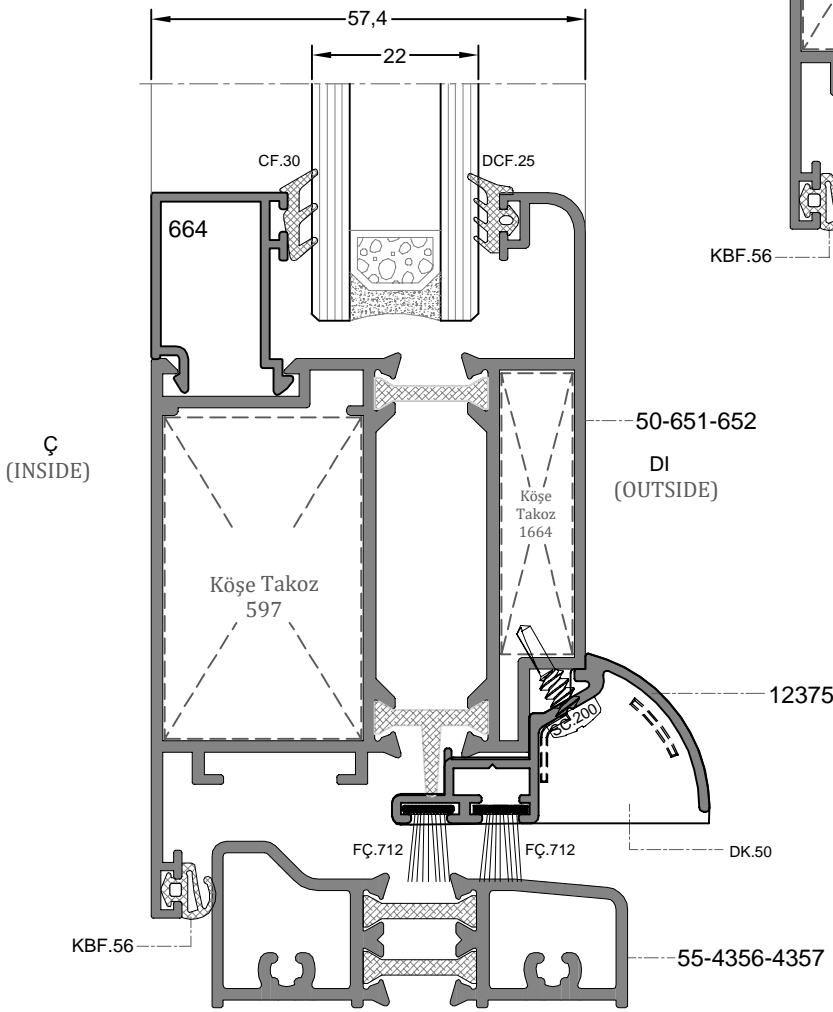
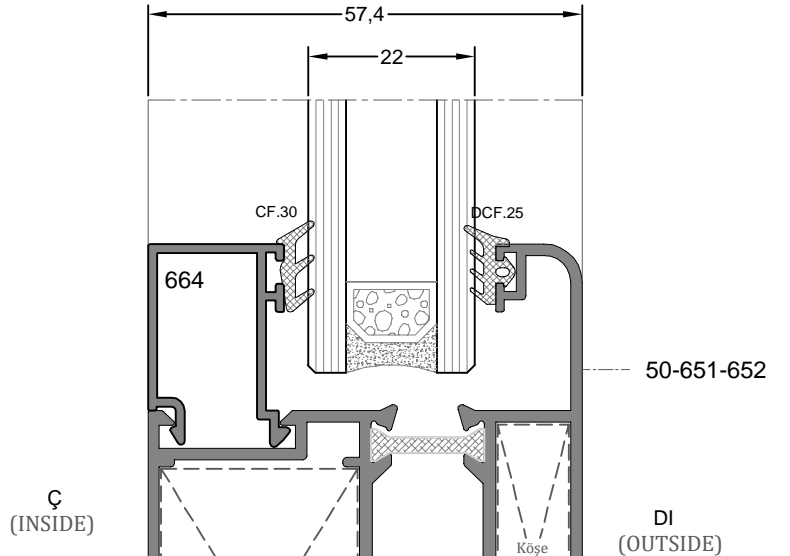
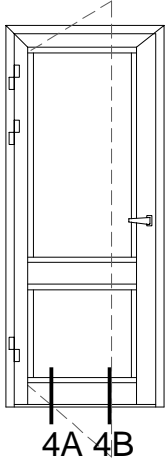




D-3

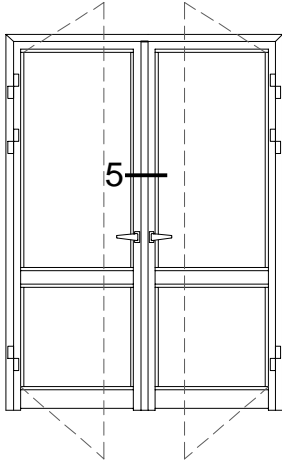


D-4

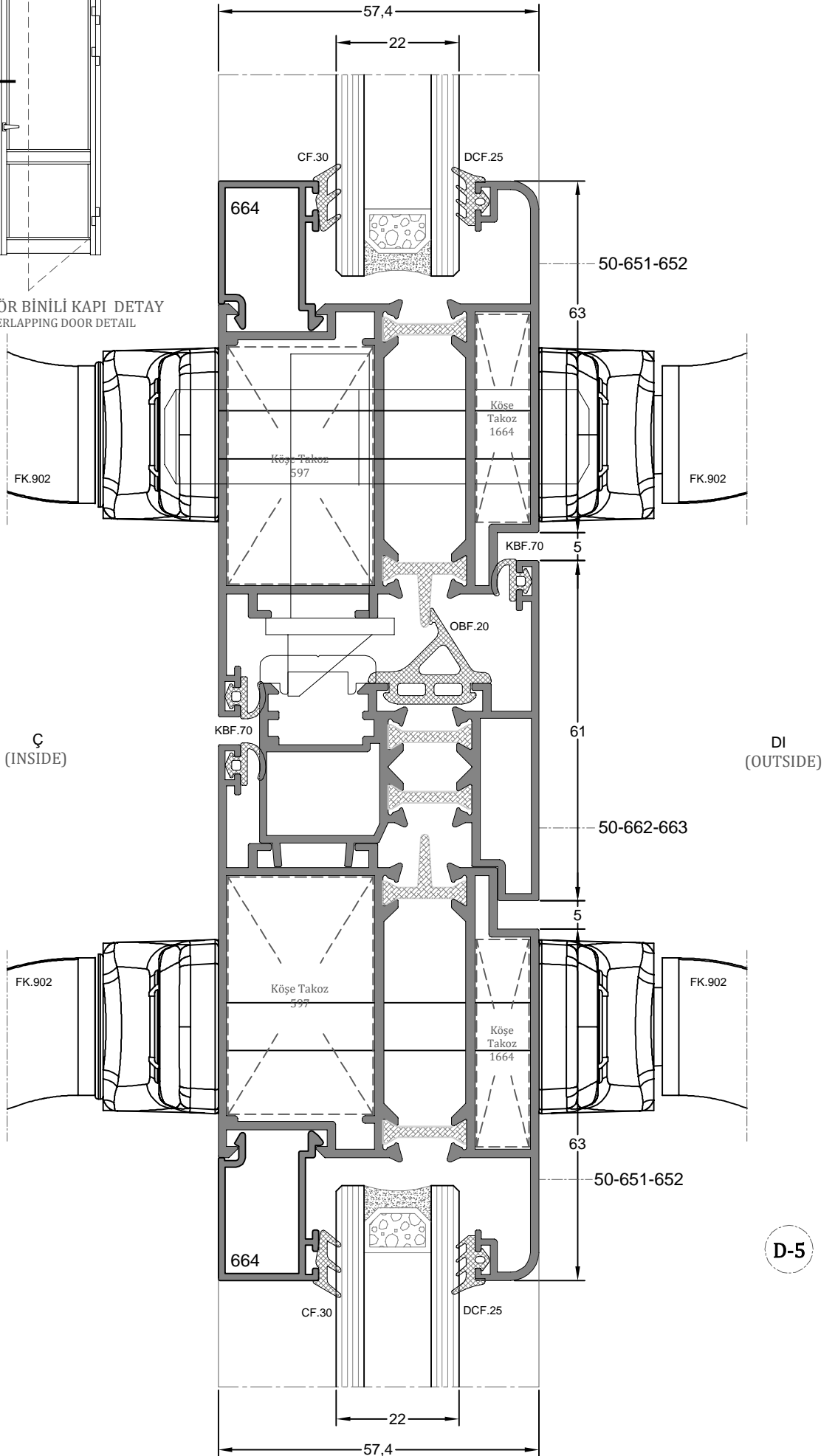


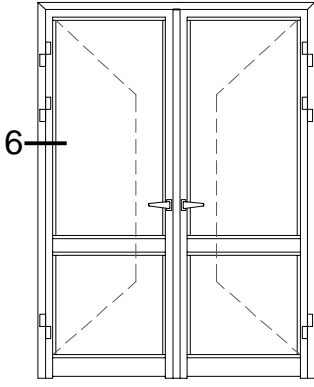
D-4A

D-4B



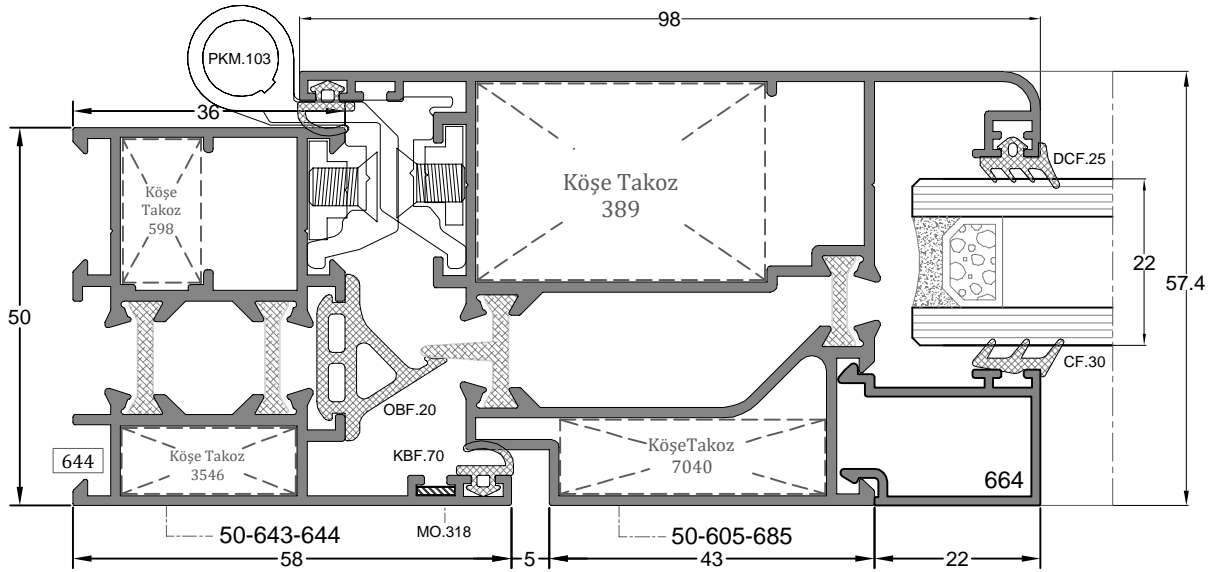
İÇE AÇILIR ADAPTÖR BİNLİ KAPI DETAY
INWARD OPENING OVERLAPPING DOOR DETAIL





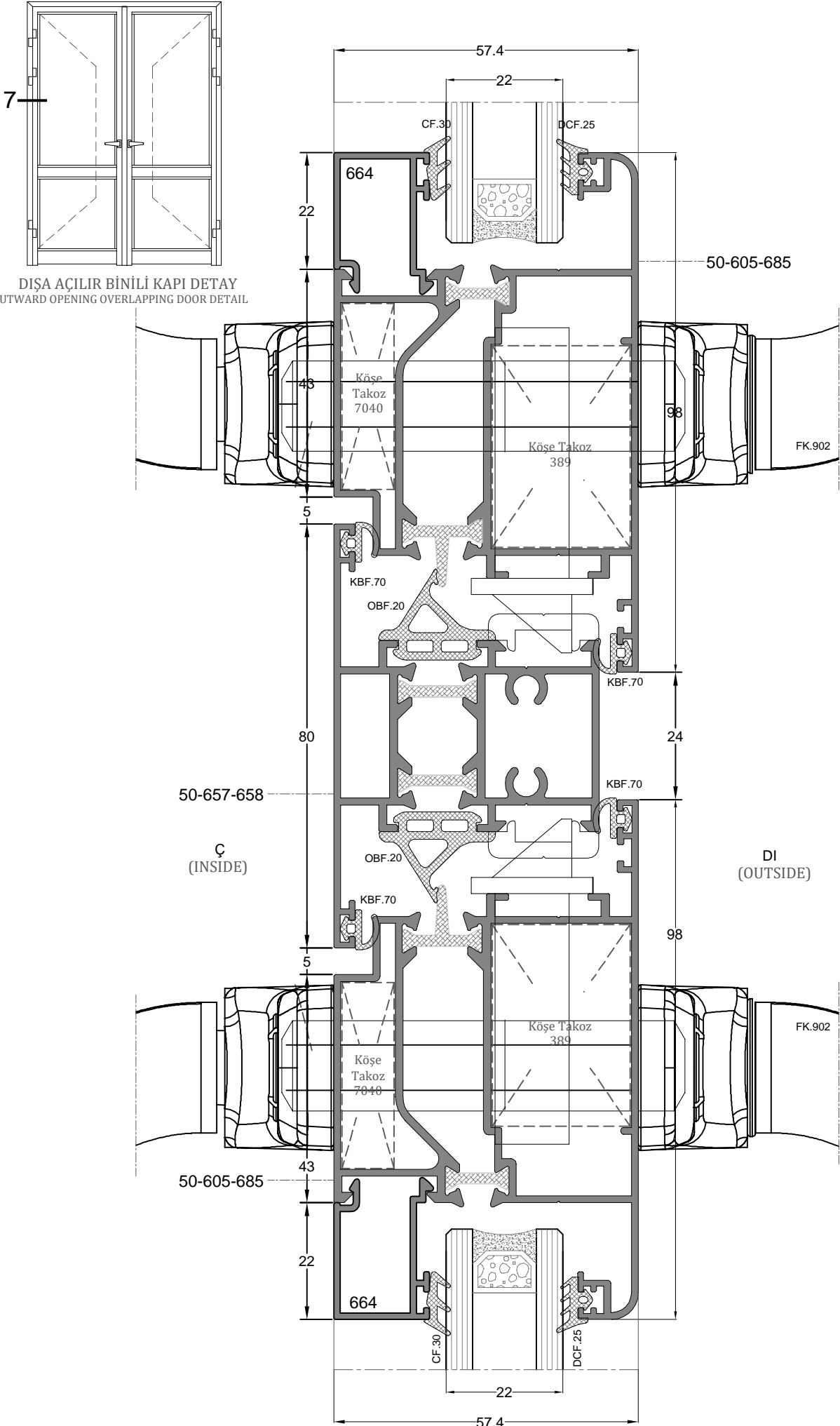
DIŐA AÇILIR BİNİLİ KAPI DETAY
OUTWARD OPENING OVERLAPPING DOOR DETAIL

Ç
(INSIDE)



DI
(OUTSIDE)

D-6



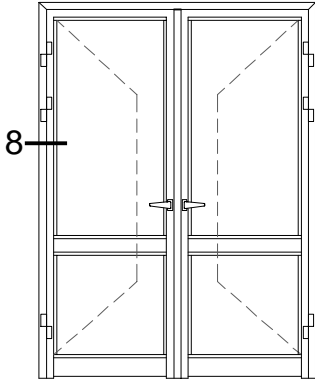
DIŞA AÇILIR BİNİLİ KAPI DETAY
OUTWARD OPENING OVERLAPPING DOOR DETAIL

50-657-658

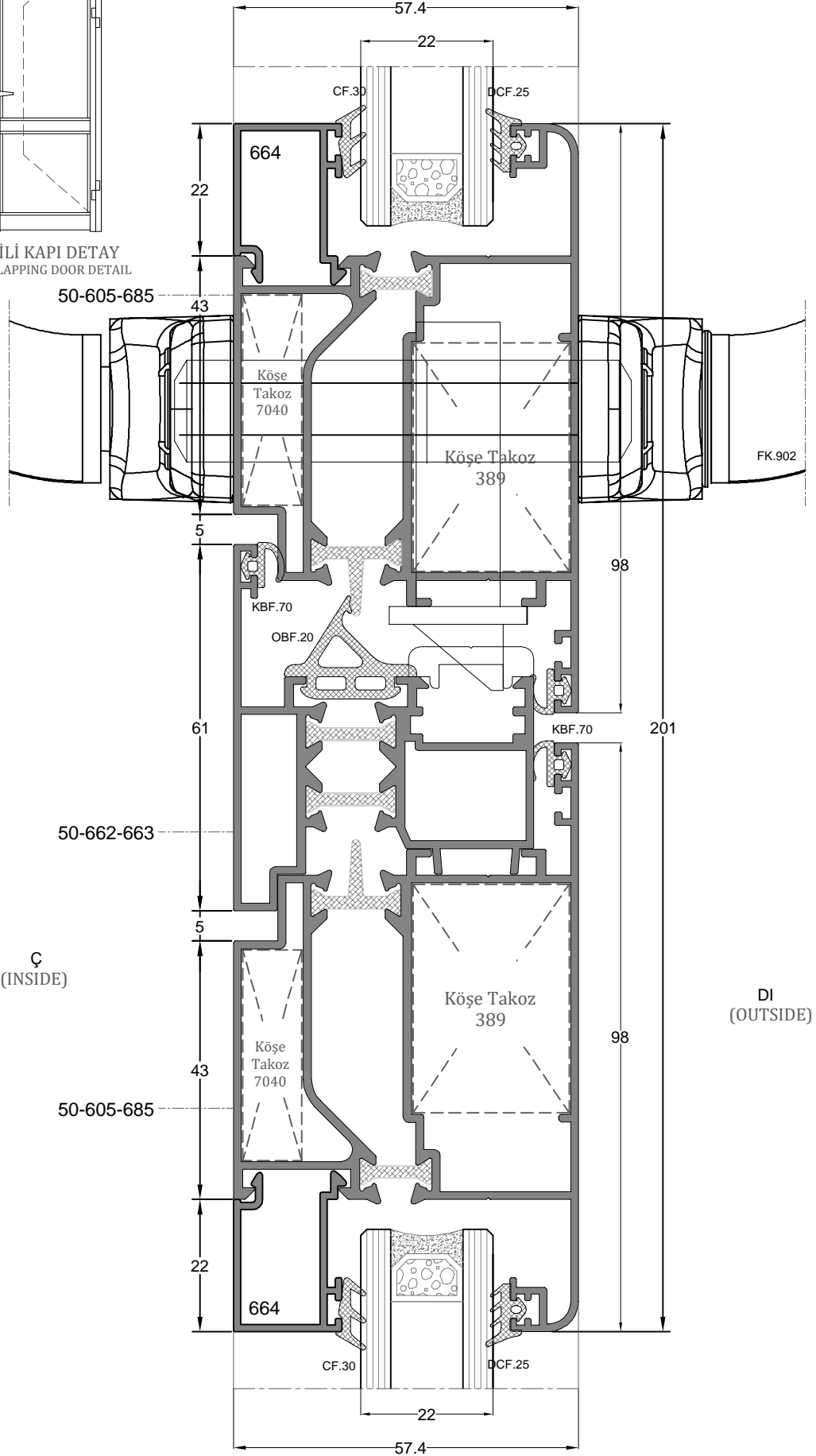
Ç
(INSIDE)

DI
(OUTSIDE)

50-605-685



DIŐA AÇILIR BİNİLİ KAPI DETAY
OUTWARD OPENING OVERLAPPING DOOR DETAIL



D-8